

ROOF TOP PACKAGE UNIT

AIR CONDITIONERS

Capacity 3-25TR

3RTH - 50Hz



MAKING LIFE COOL

Table of Contents

Features	3
Model Number Description	4
Engineering Specifications	5
Electrical Data	6
Cooling Performance Data	7
Heating Performance Data	18
Fan Performance data	24
Dimensional Data	26
Wiring Diagrams	29

Features

INTRODUCTION

Roof top package units have been developed & produced to provide not only the ultimate indoor comfort, but also to guarantee long & trouble free operations.

Herein lies the reason for the choice of only the highest quality components and design strategies to meet the most important objectives of high efficiency, reliability, flexibility, Easy Install ability, serviceability, and affordability

STANDARD FEATURES

- 2" Aluminum Washable filter
- Refrigerant : R 407C
- Power Supply : 380-415 V/3PH/50Hz
- High Pressure & Low Pressure cut out
- Weather resistant steel cabinet , qualified for 1000 Hours of Salt Spray test
- Reciprocating Compressor for 3TR
- Scroll Compressor for 4 TR up to 25TR
- Crank case Heater for Compressors
- Direct Drive Blower Motor Assembly for 3TR,4TR & 5TR
- Belt Drive Blower Motor Assembly for 6TR up to 25 TR
- 1" PUFF Insulation Double skin type
- Thermostatic Expansion Valves
- Factory Wired with Single Point Power Input
- Coils are leak tested & Pressure Tested for 550 PSIG
- Condenser Fans are Propeller type Direct Drive, draw through Vertical Discharge with Fan guard mounted to the Panel
- All units are provided with Compressor Lockout either by locking Relays or by High Pressure control trip with manual reset switch.
- Condenser & Evaporator Coils are with Copper Tubes and Aluminum fins.
- IP55 Class F Blower Motor for 15 TR and Above
- IP55 Class F Condenser Motor for 18 TR and Above
- Power Controller , High/Low Voltage , Phase Loss/Reversal Protection
- All Units are designed to operate with 24V Universal Thermostat
- Internal Motor Protection for Indoor & Outdoor Motors
- Compressor protection against High Discharge Temperature

OPTIONAL FEATURES

- Electric Heater
- Heat Pump
- Overload External protection for Blower Motor
- Anti Ice thermostat
- Hydrophilic Fin for Evaporator Coil
- Copper Fins for Evaporator & Condenser coil
- Heresite Coated Condenser Coil
- Stainless Steel Drain Pan
- Filter Differential pressure Switch
- Overload External Protection for Compressor & Condenser Fan
- Compressor Alternating Switch
- Hour Run Meter
- Fan Cycling Switch
- Low Ambient kit
- Rotolock Compressor
- Circuit breaker (MCB) for Compressor , Condenser Motor & Blower Motor
- Pump Down System
- Dual Adjustable Pressure Switch
- Hot Gas Bypass (with Solenoid)
- Pressure Gauges
- Oversized Blower Motor & Alternate Drive Package
- PCB Controller
- Advanced Microprocessor Controller
- Adjustable Voltage Monitor
- UV Light
- Adjustable Pressure Switch
- IP55 Class F Blower Motor up to 12.5Tr
- IP55 Class F Condenser Motor Upto 15TR
- VFD for Blower Motor
- Soft Starter for Blower Motor
- Fire Alarm Interlock
- Volt free Contacts for compressor, Blower ON/OFF/TRIP Status.

Model Number Description

MODEL DECODING

1	2/3	4	5 / 6 / 7	8	9	10	11	12/13	14	15
CAC	PRODUCT LINE	PRODUCT TYPE	CAPACITY	ELECTRIC CODE	APPLICATION	CIRCUIT	COMPRESSOR	FACTORY OPTIONS	CONTROL VOLT	SPL / FACTORY/ OPTIONS
3 CAC	RT = ROOF TOP ID = INDOOR OD= OUTDOOR ON =OUTDOOR	H = HIEER	EXAMPLE 012 = 12000 BTU/HR 072 = 72000 BTU/HR 300 = 300000 BTU/HR	F = 220-240V/1PH/50HZ S = 208-240V/1PH/60HZ P = 208-230V/1PH/60HZ E = 380-400V/3PH/60HZ G = 380-415V/3PH/50HZ K = 460 V/ 3PH/60HZ T = 208-230 V/ 3PH/60HZ	C = COOL ONLY E = COOL + ELE. HTR H = COOL + HP A = HP +AUX. ELE. HTR	1 = SINGLE 2 = DUAL 3 = TRIPLE 4 = QUADRUPLE	R = RECIP (R-22) S = SCROLL(R-22) T = ROTARY (R-22) E = RECIP (R407C) L = SCROLL(R407C) Y = ROTARY(R-407C) A = RECIP(R410A) B = SCROLL(R410A) C = ROTARY(R410A) W = NO COMP(R-22) X = NO COMP(R-407C) Z = NO COMP(R-410A) D = DIGIT. SCR(R410A) F = DIGIT. SCR.(R-22) Z = DIGIT. SCR(R-407C)	AA = STANDARD BA TO ZZ = NON STANDARD	X = 240 VOLTS Y = 24 VOLTS M = MICRO PROCESSOR	AW = AWAL STANDARD BA TO ZZ = NON STANDARD

Engineering Specifications

TECHNICAL DATA

Engineering Specifications High EER Roof Top Package units												
Description	Unit of measurement	UNIT MODEL										
		3RTH036GCC1	3RTH048GC	3RTH060GCC1	3RTH072GCC1	3RTH090GCC1	3RTH100GCC2	3RTH150GCC2	3RTH180GCC2	3RTH216GCC2	3RTH240GCC2	3RTH300GCC2
Nominal Cooling Capacity @ 35°C (TI)	Btu/Hr	34200	53,753	66,656	74,037	97,512	124,310	147,366	189,411	197,784	230,367	296,014
Power Consumption @ TI	KW	3.13	4.84	6.11	6.81	8.85	11.57	12.99	17.21	17.93	20.50	28.45
EER @ TI		10.9	11.1	10.9	10.9	11.0	10.7	11.3	11.0	11.0	11.2	10.4
Cooling Capacity @ 46° (T3) *	Btu/Hr	28,084	44,964	59,739	65,796	86,736	111,469	130,333	167,699	174,550	202,722	259,211
Power consumption @ 46° (T3) *	KW	3.47	5.21	7.31	8.11	10.58	13.73	15.77	20.70	21.73	25.03	34.31
EER @ T3		8.1	8.6	8.2	8.1	8.2	8.1	8.3	8.1	8.0	8.1	7.6
Heating Capacity	Btu/Hr	34,884	48,885	61,200	71,269	98,008	123,821	146,551	178,396	225,427	250,614	285,134
Heating Power Consumption	Watts	3,336	4,674	6,486	7,486	10,188	11,404	13,394	17,021	21,361	23,604	27,835
A/F Flow (Evaporator)	CFM	1,224	1,676	2,286	2,886	4,000	5,110	6,857	9,110	10,000	11,600	14,000
External static pressure	Inch H2O g	0.2"	0.2"	0.35"	0.4"	0.4"	0.4"	0.4"	0.4"	0.4"	0.4"	0.6"
Refrigerant Type		R407C										
		Centrifugal										
Blower	Type	Direct Drive										
	Drive	11" x 9"										
	Shaft	12" x 12"										
	Qty	1										
	Power Supply	220-240V/1Ph/50 Hz										
	HP	3/4										
Blower Motor	Face Area	6.00										
	Tube Dia / no of row/ FPI	3/8" x 3/16										
Blower Motor	Material Tubes - Fins	Aluminum Finer										
Evaporator	Type	TEX VALVE										
	Qty	2										
Expansion valve	W X H	350 x 350										
	Supply air Opening size	345 x 715										
	Return air Opening size	900 x 562										
Compressor	Type	Reciprocating										
	Quantity	1										
	Protection	Internal										
	Crankcase heater	-										
	220V/1 Ph	1x70										
	Qty x Watts	1x70										
	Min/Max Volts	342/456										
	Locked Rotor Amperes	45										
	Running Rotor Amperes	6.3										
Condenser	Type	Propeller / Direct driven										
	Qty	20"										
	Die of Fan	24"										
	Type of coil	Corrugated al fin with inner grooved copper coil										
	Face Area	13,85										
	Tube Dia / no of row/ FPI	3/8" x 3/16										
	Power Supply	220-240V/50										
	HP	1/3										
	Qty	1										
	Length	1195										
	Width	1290										
	Height	913										
Approximate Unit Weight	KG	230										

Note: As a result of continuous research & development, the above specifications are subject to change without notice, need to contact our sales team time to time

*Cooling Capacity & Power Consumption / Ton are rated as per ESMA T3 condition

Electrical Data

380-415V-3PH-50HZ ("G" VOLTAGE) POWER SUPPLY

3 TO 25 TONS / R407C - 50 HZ

MODEL	V-Ph-Hz	OPERATING VOLTAGE		COMPRESSOR				CONDENSER MOTOR			BLOWER MOTOR		HEATER (OPTION)		MCA (COOL)	MCA (HEAT)	MOCP (COOL)	MOCP (HEAT)
		MIN	MAX	TYPE	RLA	LRA	QTY	HP	FLA	QTY	HP	FLA	KW	AMPS	AMPS	AMPS	AMPS	AMPS
3RTH036G	380-415-3-50	342	456	REC	5.2	39	1	1/3	1.7	1	1/3	2.5	5	7.6	11	12	15	15
3RTH048G	380-415-3-50	342	456	SCR	8.2	66	1	1/3	2.0	1	3/4	4.4	5	7.6	17	14	25	20
3RTH060G	380-415-3-50	342	456	SCR	9.4	74	1	1/2	3.0	1	1 1/3	2.7	10	15.2	18	22	30	25
3RTH072G	380-415-3-50	342	456	SCR	11.0	101	1	1/2	3.0	1	1 1/3	2.7	15	22.8	20	32	30	35
3RTH090G	380-415-3-50	342	456	SCR	13.8	111	1	1 1/2	3.0	1	1 1/3	2.7	15	22.8	23	32	35	35
3RTH120G	380-415-3-50	342	456	SCR	9.4	74	2	1/2	3.0	2	2 2/3	4.8	20	30.4	30	43	40	50
3RTH150G	380-415-3-50	342	456	SCR	11.0	101	2	1/2	3.0	2	2 2/3	4.8	20	30.4	36	43	45	50
3RTH180G	380-415-3-50	342	456	SCR	13.8	111	2	1/2	3.0	2	5	7.3	25	38.0	45	55	60	60
3RTH216G	380-415-3-50	342	456	SCR	16.0	118	2	1 1/2	3.0	2	5	7.3	25	38.0	50	55	65	60
3RTH240G	380-415-3-50	342	456	SCR	17.7	118	2	1 1/2	3.0	2	5	7.3	30	45.6	54	65	70	70
3RTH300G	380-415-3-50	342	456	SCR	26.5	174	2	1 1/2	3.0	2	7 1/2	10.5	30	45.6	77	68	105	80

NOTE:

REC - Reciprocating compressor, SCR- Scroll compressor, RLA-Running Load Amps, LRA-locked Rotor Amps, QTY-Quantity
 FLA-Full Load Amps, MCA-Minimum Circuit Amps, MOCP-Maximum Over Current Protection, MOCP-Maximum over current protection

Cooling Performance Data

3 TR (3RTH036GC1) Performance Table

3 TO 25 TONS / R407C - 50 HZ

Model	Evaporator CFM	Dry Bulb Temp. F	Wet Bulb Temp. F	85.0			95.0			105.0			115.0			120.0			125.0		
				Capacity Btuh	Sensible capacity Btuh	Power Input Watt	Capacity Btuh	Sensible capacity Btuh	Power Input Watt	Capacity Btuh	Sensible capacity Btuh	Power Input Watt	Capacity Btuh	Sensible capacity Btuh	Power Input Watt	Capacity Btuh	Sensible capacity Btuh	Power Input Watt	Capacity Btuh	Sensible capacity Btuh	Power Input Watt
3RTH036	1048	84.2	66.2	38536	37523	2576	36305	36532	2610	34890	36036	2850	26118	23164	2960	32756	23643	3064	30956	23206	3385
		82	69	34157	24540	2303	33373	24297	2487	32613	23812	2612	31220	16392	2664	29466	15965	2757	27579	15396	3047
		82	67	34081	32948	2325	33306	32453	2511	32613	31957	2637	31220	21805	2690	29372	21223	2784	27507	20642	3076
		82	65	34058	35135	2354	33285	34640	2542	32613	33897	2669	31203	22511	2723	29354	22085	2818	27492	21605	3114
		82	63	34043	36577	2430	33269	36251	2625	32596	36332	2756	31180	23426	2811	29467	22972	2909	27478	22459	3215
		80	69	32569	21254	2219	31823	21021	2397	31169	20555	2517	29563	14249	2567	27862	13839	2657	26066	13429	2936
		80	67	32549	25283	2238	31806	24788	2417	31155	24292	2537	29529	16871	2588	27836	16435	2679	26049	15853	2960
		80	65	32489	32425	2261	31750	32177	2442	31109	31434	2564	29572	20977	2616	27918	20578	2707	26134	20335	2991
		80	63	32473	34159	2342	31732	34365	2530	31093	33621	2656	29552	21867	2709	27902	21441	2804	26125	20961	3099
		78	69	30691	18223	2109	29991	17999	2277	29371	17550	2391	27969	12403	2439	26367	12008	2524	24796	11614	2789
		78	67	30412	22541	2113	29719	22294	2282	29106	21799	2396	27752	15259	2444	26311	14824	2530	24613	14243	2796
		78	65	30698	25256	2160	30001	24760	2333	29384	24265	2449	29044	17291	2498	27384	16709	2586	25631	16128	2857
		78	63	30651	32150	2226	29958	31654	2404	29348	31159	2524	29147	19010	2575	27365	18429	2665	25760	17848	2945
		76	69	30000	15632	2084	29316	15416	2251	28709	14984	2363	27303	10694	2411	25733	10440	2495	24931	10187	2757
		76	67	29765	19515	2091	29088	19278	2259	28487	18803	2372	27095	13263	2419	25543	12845	2504	24050	12427	2767
		76	65	28572	22545	2032	28718	22545	2195	28126	22050	2305	26879	15410	2351	25344	14974	2433	23180	14247	2689
		76	63	27700	24733	2031	28680	24980	2194	28090	24485	2303	26842	17129	2349	25456	16693	2432	22485	15676	2687
		1224	84.2	66.2	41436	40347	2658	39038	39282	2750	37516	38749	2887	28084	24907	2978	35221	25423	3125	33286	24952
	82		69	36728	26387	2476	35885	26126	2675	35068	25604	2808	33570	17626	2907	31684	17167	3008	29655	16555	3324
	82		67	36647	35428	2500	35813	34895	2700	35068	34362	2836	33570	23446	2935	31583	22821	3037	29578	22195	3356
	82		65	36622	37780	2531	35790	37247	2734	35068	36448	2870	33551	24206	2971	31564	23748	3075	29561	23231	3397
	82		63	36605	39330	2613	35773	38980	2822	35049	39067	2963	33527	25190	3067	31685	24701	3174	29546	24149	3508
	80		69	35020	22854	2386	34218	22603	2577	33515	22102	2706	31789	15321	2801	29960	14880	2899	28028	14439	3203
	80		67	34999	27186	2406	34200	26653	2738	33500	26121	2875	31752	18141	2976	29931	17672	3080	28009	17047	3403
	80		65	34935	34866	2432	34140	34599	2626	33450	33800	2757	31798	22556	2854	30019	22127	2954	28101	21865	3264
	80		63	34917	36730	2519	34120	36951	2720	33433	36152	2856	31776	23513	2956	30002	23055	3060	28092	22538	3381
	78		69	33001	19594	2267	32248	19353	2449	31582	18871	2571	30074	13337	2661	28352	12912	2754	26663	12488	3043
	78		67	32701	24238	2272	31956	23972	2454	31297	23440	2577	29841	16408	2667	28291	15939	2760	26466	15315	3050
	78		65	33009	27157	2322	32259	26624	2508	31596	26091	2633	31230	18592	2726	29445	17967	2821	27560	17342	3117
	78		63	32958	34570	2394	32213	34037	2585	31557	33504	2714	31341	20441	2809	29424	19816	2908	27699	19191	3213
	76		69	32258	16808	2241	31523	16576	2420	30870	16111	2541	29358	11499	2630	27670	11226	2722	26807	10954	3008
	76		67	32005	20984	2249	31277	20729	2429	30631	20218	2550	29134	14261	2639	27466	13812	2732	25860	13362	3019
	76		65	30722	24242	2185	30880	24242	2360	30243	23709	2478	28903	16570	2565	27252	16101	2655	24924	15319	2933
	76		63	29785	26594	2184	30839	26861	2359	30205	26328	2477	28862	18419	2563	27372	17950	2653	24177	16856	2932
	1375		84.2	66.2	42265	41154	3071	39819	40067	3317	38267	39524	3483	28646	25405	3604	35926	25931	3731	33952	25452
		82	69	37462	26914	2526	36603	26648	2728	35769	26116	2864	34241	17979	2965	32318	17510	3068	30248	16886	3391
		82	67	37379	36136	2550	36529	35593	2755	35769	35050	2892	34242	23915	2993	32215	23277	3098	30169	22639	3424
		82	65	37354	38536	2582	36506	37992	2788	35769	37177	2928	34222	24690	3030	32195	24223	3136	30152	23696	3465
		82	63	37337	40116	2665	36488	39759	2879	35750	39848	3023	34197	25694	3128	32319	25195	3238	30137	24632	3578
		80	69	35720	23311	2434	34902	23056	2629	34186	22544	2760	32424	15628	2857	30559	15178	2957	28589	14728	3267
		80	67	35698	27730	2454	34884	27186	2650	34170	26643	2783	32387	18504	2880	30530	18025	2981	28569	17388	3294
		80	65	35633	35563	2480	34823	35291	2679	34119	34476	2813	32434	23007	2911	30619	22570	3013	28663	22303	3329
80		63	35616	37465	2569	34803	37690	2775	34102	36875	2913	32412	23983	3015	30602	23516	3121	28654	22989	3448	
78		69	33661	19986	2313	32893	19740	2498	32214	19249	2622	30676	13603	2714	28919	13170	2809	27196	12738	3104	
78		67	33355	24723	2318	32595	24451	2503	31923	23909	2628	30438	16736	2720	28857	16258	2816	26995	15621	3111	
78		65	33669	27700	2369	32904	27156	2558	32228	26613	2686	31855	18964	2780	30034	18326	2877	28112	17689	3180	
78		63	33617	35261	2441	32858	34718	2637	32188	34174	2769	31968	20850	2865	30013	20212	2966	28253	19575	3277	
76		69	32903	17145	2286	32153	16908	2469	31488	16434	2592	29945	11729	2683	28224	11451	2777	27344	11173	3068	
76		67	32645	21404	2294	31903	21143	2477	31244	20622	2601	29717	14546	2692	28015	14088	2786	26378	13629	3079	
76		65	31337	24727	2229	31497	24727	2407	30848	24184	2528	29481	16901	2616	27797	16423	2708	25423	15626	2992	
76		63	30381	27126	2228	31455	27398	2406	30809	26854	2526	29439	18787	2615	27919	18309	2706	24661	17193	2990	

Notes:
- Power Input (Watts) Is Compressor Power.

Cooling Performance Data

4 TR (3RTH048GC1) Performance Table

3 TO 25 TONS / R407C - 50 HZ

Model	Evaporator CFM	DBT (°F)	WBT (°F)	85			95			105			115			120			125		
				Capacity Btu/hr	Sensible Capacity Btu/hr	Power Input (Watts)	Capacity Btu/hr	Sensible Capacity Btu/hr	Power Input (Watts)	Capacity Btu/hr	Sensible Capacity Btu/hr	Power Input (Watts)	Capacity Btu/hr	Sensible Capacity Btu/hr	Power Input (Watts)	Capacity Btu/hr	Sensible Capacity Btu/hr	Power Input (Watts)	Capacity Btu/hr	Sensible Capacity Btu/hr	Power Input (Watts)
3RTH048	1419	84.2	66.2	54515	43409	3830	51596	42266	3950	47693	40902	4030	43155	39252	4180	40934	38522	4370	38173	37761	4620
		82	69	56260	36523	3790	54198	35825	4010	51024	34873	4240	47058	33699	4640	44742	33033	4950	41949	32176	5390
		82	67	55118	39474	3820	52674	38649	3970	48295	36936	4060	44297	35666	4310	41949	35000	4510	39284	34238	4830
		82	65	53468	42266	3840	50485	41029	3920	46550	39601	3960	41791	37729	4040	39411	36904	4160	36872	36015	4390
		82	63	51532	44837	3840	48359	43567	3860	44393	42044	3830	40014	40014	3860	37792	37792	3950	35381	35381	4140
		80	69	56260	34048	3790	54229	33350	4010	51056	32398	4250	47058	31224	4640	44742	30558	4950	41949	29733	5390
		80	67	55150	36967	3820	52706	36142	3970	48327	34429	4060	44361	33191	4320	42013	32525	4520	39315	31732	4840
		80	65	53468	39760	3840	50517	38554	3920	46582	37126	3960	41886	35317	4050	39442	34429	4160	36872	33572	4390
		80	63	51532	42393	3840	48359	41092	3860	44393	39601	3830	40014	37761	3860	37665	36840	3940	34683	34683	4040
		78	69	56324	31700	3790	54134	30938	4010	50961	29955	4240	46931	28781	4630	44646	28114	4930	41854	27289	5360
		78	67	55086	34556	3820	52548	33667	3970	48295	32081	4060	44234	30748	4310	41949	30050	4510	39220	29320	4820
		78	65	53404	37348	3840	50422	36111	3910	46487	34683	3950	41949	33001	4060	39347	31985	4150	36777	31129	4380
		78	63	51500	39950	3840	48327	38649	3860	44329	37158	3820	39982	35317	3860	37602	34365	3930	34683	33160	4030
		76	69	56387	29257	3790	54134	28432	4010	50961	27480	4240	46899	26305	4630	44615	25639	4930	41822	24782	5360
		76	67	55086	32049	3820	52516	31160	3970	48391	29701	4070	44202	28273	4300	41949	27575	4510	39189	26845	4810
		76	65	53404	34873	3840	50422	33604	3910	46487	32176	3950	42044	30589	4070	39347	29510	4150	36809	28654	4380
		76	63	51469	37475	3840	48295	36174	3860	44329	34683	3820	39982	32842	3860	37602	31890	3930	34746	30748	4050
		1676	84.2	66.2	55721	47121	3810	52674	45820	3970	49311	44742	4130	44964	43504	4390	42679	42679	4620	39982	39982
	82		69	57910	39347	3730	56355	38808	4070	53436	37951	4420	49311	36777	4950	46804	36047	5320	43821	35159	5830
	82		67	55943	42425	3800	53722	41600	4000	50390	40553	4200	46233	39284	4540	43885	38586	4810	41124	37729	5200
	82		65	54864	45694	3820	52262	44805	3960	47693	42965	4020	43567	41568	4230	41156	40870	4400	38427	38427	4670
	82		63	53246	48867	3840	50136	47534	3910	46106	45979	3930	42108	42108	4070	40077	40077	4250	37824	37824	4560
	80		69	57910	36491	3730	56355	35952	4070	53436	35095	4420	49311	33889	4950	46804	33160	5320	43821	32303	5830
	80		67	56038	39506	3800	53753	38681	4000	50453	37665	4200	46265	36396	4550	43948	35698	4820	41156	34841	5210
	80		65	54896	42806	3820	52262	41886	3960	47820	40172	4030	43567	38713	4230	41188	38014	4400	38395	37189	4670
	80		63	53246	46011	3840	50136	44710	3910	46074	43155	3930	41410	41410	4000	39252	39252	4140	36745	36745	4370
	78		69	57815	33667	3740	56260	33128	4060	53309	32271	4410	49184	31097	4930	46709	30335	5300	43726	29479	5800
	78		67	56101	36777	3800	53690	35857	4000	50358	34841	4200	46169	33572	4530	43821	32874	4800	41061	32017	5190
	78		65	54800	40014	3820	52103	39062	3960	47883	37475	4040	43472	35920	4220	41124	35159	4390	38300	34397	4650
	78		63	53182	43155	3840	50104	41854	3910	46043	40299	3920	41505	38681	4010	38522	37316	4040	35984	35984	4240
	76		69	57815	30811	3740	56228	30272	4060	53277	29383	4410	49184	28209	4930	46677	27448	5290	43694	26559	5800
	76		67	56165	33953	3800	53658	33001	4000	50358	31954	4200	46138	30716	4530	43821	29986	4800	41029	29130	5190
	76		65	54832	37094	3820	52135	36142	3960	48010	34651	4040	43472	33033	4220	41156	32271	4400	38332	31478	4650
	76		63	53182	40299	3840	50104	38966	3910	46043	37443	3920	41600	35888	4020	38554	34524	4050	35952	33635	4240
	1835		84.2	66.2	55975	49121	3800	53626	48327	4000	50231	47280	4190	46043	45947	4520	43821	43821	4800	41283	41283
		82	69	58672	40965	3690	57498	40585	4100	54705	39760	4520	50453	38522	5120	47883	37792	5520	44805	36904	6090
		82	67	56768	44329	3780	54737	43631	4020	51500	42616	4280	47344	41378	4680	44964	40648	4990	42013	39728	5400
		82	65	55657	47946	3810	52421	46550	3970	48803	45313	4100	44424	43980	4330	42171	42171	4550	39728	39728	4920
		82	63	54039	51183	3830	50897	49819	3930	47312	47312	4000	43567	43567	4230	41568	41568	4460	39220	39220	4820
		80	69	58672	37856	3690	57498	37475	4100	54705	36650	4520	50453	35412	5120	47883	34683	5520	44805	33794	6090
		80	67	56800	41188	3780	54769	40490	4020	51532	39506	4280	47375	38237	4690	44995	37507	4990	42044	36587	5410
		80	65	55752	44868	3810	52516	43504	3970	48803	42203	4100	44456	40870	4330	42044	40140	4530	39315	39284	4840
80		63	54039	48073	3830	50866	46741	3930	47153	45567	3990	42457	42457	4110	40363	40363	4290	37983	37983	4590	
78		69	58577	34810	3700	57371	34429	4090	54578	33572	4510	50326	32366	5100	47756	31605	5500	44678	30748	6060	
78		67	56736	38173	3780	54674	37443	4020	51437	36460	4270	47280	35190	4670	44900	34461	4970	41949	33540	5390	
78		65	55625	41822	3810	52611	40585	3970	48708	39189	4090	44393	37792	4320	41917	37126	4510	39220	36206	4820	
78		63	54007	44995	3840	50802	43663	3930	47026	42457	3980	41695	40236	4030	39506	39506	4170	37158	37158	4440	
76		69	58577	31700	3700	57371	31287	4090	54547	30431	4510	50295	29225	5100	47756	28495	5500	44678	27606	6050	
76		67	56704	35063	3780	54642	34334	4020	51405	33318	4270	47248	32081	4670	44868	31351	4970	41917	30431	5380	
76		65	55594	38649	3810	52738	37507	3970	48708	36047	4090	44424	34683	4330	41949	33985	4510	39220	33096	4820	
76		63	53975	41886	3840	50802	40585	3920	46994	39315	3980	41791	37221	4040	39442	36396	4160	36777	35476	4380	

Notes:
- Power Input (Watts) Is Compressor Power.

Cooling Performance Data

5 TR (3RTH060GC1) Performance Table

3 TO 25 TONS / R407C - 50 HZ

Model	Evaporator CFM	DBT (°F)	WBT (°F)	85			95			105			115			120			125			
				Capacity Btu/hr	Sensible Capacity Btu/hr	Power Input (Watts)	Capacity Btu/hr	Sensible Capacity Btu/hr	Power Input (Watts)	Capacity Btu/hr	Sensible Capacity Btu/hr	Power Input (Watts)	Capacity Btu/hr	Sensible Capacity Btu/hr	Power Input (Watts)	Capacity Btu/hr	Sensible Capacity Btu/hr	Power Input (Watts)	Capacity Btu/hr	Sensible Capacity Btu/hr	Power Input (Watts)	
3RTH060GC1	1350	84.2	66.2	63876	50042	3838	61261	48850	4329	58614	47593	4897	55966	46335	5532	54311	45408	5859	52623	44581	6234	
		82	69	67351	42860	3886	64141	41569	4377	61328	40477	4945	58581	39385	5580	57224	38822	5916	55734	38226	6301	
		82	67	64836	45640	3848	62221	44614	4348	59540	43555	4916	56396	41966	5541	54973	41337	5878	53550	40775	6253	
		82	65	62519	48685	3810	59938	47493	4310	57290	46269	4877	54642	44945	5503	53318	44316	5839	51895	43621	6215	
		82	63	60202	51167	3781	57786	50075	4281	55205	48850	4839	52590	47560	5464	51299	46931	5801	49909	46236	6176	
		80	69	67285	39980	3886	64174	38723	4377	61261	37598	4945	58514	36505	5580	57157	35943	5916	55668	35347	6301	
		80	67	64836	42727	3848	62188	41701	4348	59507	40675	4906	56429	39385	5541	54907	38723	5878	53517	38160	6253	
		80	65	62486	45805	3810	59904	44647	4310	57290	43422	4868	54609	42297	5503	53285	41735	5839	51862	41040	6215	
		80	63	60169	48619	3781	57753	47493	4281	55172	46269	4839	52557	45011	5464	51266	44349	5801	49876	43687	6176	
		78	69	67119	37134	3886	64141	35976	4377	61129	34751	4935	58349	33659	5580	56992	33129	5916	55536	32534	6291	
		78	67	64670	39914	3848	62056	38888	4348	59375	37862	4906	56429	36638	5541	54808	35976	5868	53384	35380	6253	
		78	65	62354	42992	3810	59772	41834	4310	57157	40642	4868	54477	39484	5503	53153	38954	5839	51730	38359	6215	
		78	63	60070	45938	3781	57654	44846	4281	55072	43654	4839	52458	42396	5464	51167	41768	5801	49777	41106	6166	
		76	69	67020	34222	3877	64141	33096	4377	60997	31872	4935	58283	30780	5580	56893	30217	5916	55436	29621	6291	
		76	67	64604	37035	3848	61956	36009	4348	59276	34983	4906	56429	33791	5541	54808	33129	5868	53318	32501	6243	
		76	65	62321	40113	3810	59739	38921	4310	57091	37730	4868	54444	36605	5503	53120	36042	5839	51697	35479	6215	
		76	63	60004	43058	3781	57588	41966	4271	55039	40808	4829	52425	39550	5464	51134	38921	5801	49744	38226	6166	
		1962	84.2	66.2	68543	60202	3906	65630	59077	4406	62718	57919	4964	59739	56694	5608	58217	56032	5945	56562	55370	6320
	82		69	72316	51101	3963	69238	49843	4464	66060	48586	5022	62883	47262	5666	61295	46600	6003	59607	45905	6388	
	82		67	69602	54708	3915	66689	53550	4416	63711	52392	4983	60600	51068	5618	59077	50439	5955	57422	49744	6340	
	82		65	67186	58250	3886	64174	56992	4377	61261	55834	4945	58316	54642	5580	56860	54046	5916	55304	53384	6291	
	82		63	65365	62453	3858	62519	61096	4348	59408	59408	4906	56694	56198	5551	55205	55205	5878	53914	53914	6263	
	80		69	72283	47493	3963	69171	46236	4464	65994	44978	5022	62817	43654	5666	61228	42992	6003	59540	42297	6378	
	80		67	69569	51035	3915	66656	49876	4416	63677	48718	4983	60600	47427	5618	59044	46765	5955	57389	46070	6340	
	80		65	67252	54708	3886	64141	53351	4377	61228	52226	4945	58283	51002	5580	56827	50406	5916	55271	49744	6291	
	80		63	65299	58812	3858	62486	57488	4348	59474	56065	4906	55999	54311	5532	54642	53749	5868	53087	53087	6243	
	78		69	72084	43621	3963	69006	42396	4454	65829	41172	5022	62651	39914	5657	61063	39352	6003	59375	38756	6378	
	78		67	69403	47493	3915	66491	46335	4416	63545	45177	4983	60434	43886	5618	58912	43257	5955	57257	42562	6330	
	78		65	67285	51266	3886	63942	49744	4377	61096	48652	4935	58150	47460	5570	56694	46865	5907	55139	46203	6291	
	78		63	65200	55238	3858	62387	53881	4348	59507	52557	4916	56032	50803	5532	54510	50141	5868	53020	49545	6243	
	76		69	71952	39385	3954	68874	38193	4454	65729	36969	5022	62552	35678	5657	60964	35148	5993	59276	34553	6378	
	76		67	69304	43820	3915	66391	42694	4416	63446	41536	4983	60368	40278	5618	58812	39649	5955	57157	38954	6330	
	76		65	67318	47692	3886	63942	46136	4377	61063	45011	4935	58117	43787	5570	56661	43191	5907	55072	42562	6282	
	76		63	65134	51597	3858	62321	50273	4348	59441	48916	4906	56065	47262	5532	54444	46467	5868	52954	45905	6243	
	2081		84.2	66.2	69271	62221	3915	66325	61063	4416	63347	59904	4974	60269	58614	5618	58713	57952	5955	57058	57058	6330
			82	69	73044	52524	3973	69900	51266	4473	66689	49976	5041	63446	48619	5676	61857	47957	6013	60136	47262	6397
			82	67	70363	56396	3935	67384	55238	4435	64339	54013	4993	61162	52689	5628	59607	52028	5974	57919	51333	6349
			82	65	67715	60037	3896	64836	58912	4387	61890	57753	4954	58912	56529	5589	57422	55900	5926	55834	55238	6301
			82	63	66060	64439	3867	63049	62949	4358	60269	60269	4925	57422	57422	5560	56198	56198	5897	54874	54874	6282
			80	69	72978	48718	3973	69833	47460	4473	66623	46169	5041	63380	44813	5676	61791	44151	6013	60070	43456	6397
			80	67	70330	52524	3935	67351	51366	4435	64306	50141	4993	61129	48817	5628	59574	48155	5964	57886	47460	6349
		80	65	67649	56198	3886	64803	55072	4387	61857	53914	4954	58878	52689	5589	57389	52061	5926	55801	51399	6301	
80		63	66027	60633	3867	63148	59143	4358	59607	57522	4916	56595	56264	5541	55304	55304	5878	53914	53914	6263		
78		69	72812	44779	3973	69668	43555	4464	66458	42330	5031	63214	41106	5676	61625	40444	6013	59904	39749	6388		
78		67	70164	48784	3925	67186	47626	4425	64174	46434	4993	60997	45110	5628	59441	44448	5964	57753	43753	6340		
78		65	67517	52458	3886	64670	51333	4387	61725	50174	4945	58746	48916	5589	57257	48321	5926	55668	47659	6301		
78		63	65928	56827	3867	63049	55503	4358	59640	53848	4916	56529	52458	5541	55072	51862	5878	53517	51233	6253		
76		69	72713	40311	3973	69536	39087	4464	66358	37895	5031	63115	36737	5666	61526	36207	6013	59805	35612	6388		
76		67	70065	44978	3925	67086	43820	4425	64075	42628	4993	60897	41304	5628	59342	40642	5964	57654	39947	6340		
76		65	67583	48685	3886	64604	47493	4387	61659	46335	4945	58680	45077	5580	57224	44482	5916	55635	43820	6301		
76		63	65862	52987	3867	62949	51597	4358	59706	50108	4916	56429	48619	5541	55006	48023	5878	53451	47394	6253		

Notes:
- Power Input (Watts) Is Compressor Power.

Cooling Performance Data

6TR (3RTH072GC1) Performance Table

3 TO 25 TONS / R407C - 50 HZ

Model	Evaporator CFM	DBT (°F)	WBT (°F)	85			95			105			115			120			125		
				Capacity Btu/hr	Sensible Capacity Btu/hr	Power Input (Watts)	Capacity Btu/hr	Sensible Capacity Btu/hr	Power Input (Watts)	Capacity Btu/hr	Sensible Capacity Btu/hr	Power Input (Watts)	Capacity Btu/hr	Sensible Capacity Btu/hr	Power Input (Watts)	Capacity Btu/hr	Sensible Capacity Btu/hr	Power Input (Watts)	Capacity Btu/hr	Sensible Capacity Btu/hr	Power Input (Watts)
3RTH072GC1	1620	84.2	66.2	71554	56562	4407	68708	55238	4999	66220	53782	5660	62089	52094	6419	60103	51101	6813	57853	50042	7257
		82	69	75261	48652	4476	72150	47394	5068	69161	45805	5719	65034	44415	6478	63247	43654	6882	61328	42860	7336
		82	67	72647	51961	4427	69767	50637	5019	67222	49148	5679	62751	47361	6429	60699	46401	6823	58878	45640	7277
		82	65	69966	55006	4378	67186	53715	4960	64715	52259	5630	60732	50604	6379	59044	49777	6784	57091	48817	7237
		82	63	67252	57786	4329	64637	56595	4920	62309	55238	5581	58448	53616	6340	56793	52789	6734	54940	51862	7198
		80	69	75228	45706	4476	72216	44515	5068	69061	42827	5719	64968	41437	6478	63181	40709	6882	61261	39914	7336
		80	67	72614	48950	4427	69734	47626	5019	67189	46103	5679	62817	44415	6429	60699	43389	6823	58845	42661	7277
		80	65	69933	52028	4378	67153	50737	4960	64682	49281	5630	60699	47659	6379	59011	46798	6784	57058	45772	7237
		80	63	67186	54841	4329	64571	53649	4910	62275	52292	5581	58415	50671	6340	56760	49843	6734	54907	48916	7188
		78	69	75063	42330	4476	72051	41172	5068	68860	39649	5719	64770	38259	6478	63016	37564	6882	61063	36770	7336
		78	67	72448	45772	4427	69569	44680	5009	67055	43257	5679	62784	41635	6429	60666	40609	6823	58680	39749	7277
		78	65	69767	49148	4378	66987	47857	4960	64548	46401	5620	60566	44746	6379	58845	43886	6784	56959	42959	7237
		78	63	67086	51928	4329	64472	50704	4910	62175	49380	5581	58316	47758	6330	56661	46931	6734	54808	46004	7188
		76	69	74996	38855	4476	71918	37664	5058	68894	36207	5719	64703	34784	6468	62916	34089	6872	60964	33295	7326
		76	67	72349	42330	4417	69469	41205	5009	66988	40014	5679	62784	38557	6429	60666	37697	6823	58581	36803	7277
		76	65	69701	45706	4378	66921	44515	4960	64481	43323	5620	60533	41768	6379	58812	40907	6784	56893	39947	7237
		76	63	67020	48950	4319	64406	47758	4910	62108	46401	5581	58250	44779	6330	56595	43952	6734	54741	43025	7188
		84.2	66.2	75956	66656	4486	72911	65465	5078	70164	64108	5748	65796	62552	6498	63909	61758	6902	61824	60897	7346
		82	69	80358	56661	4575	77082	55370	5167	74175	53947	5837	69469	52259	6586	67417	51366	6981	65167	50439	7434
		82	67	77247	60600	4516	74070	59375	5107	71301	57985	5768	66855	56429	6527	64935	55602	6922	62751	54675	7375
	82	65	75129	64968	4476	71588	63413	5058	68560	61791	5709	64207	60302	6458	62354	59507	6863	60302	58647	7316	
	82	63	72614	69271	4427	69536	67815	5009	66754	66094	5670	62420	62420	6419	60500	60500	6823	58779	58779	7277	
	80	69	80259	52656	4575	76982	51366	5167	74108	49942	5837	69403	48255	6586	67351	47361	6981	65101	46434	7425	
	80	67	77214	56562	4516	74037	55304	5107	71267	53914	5768	66855	52359	6517	64902	51564	6922	62718	50604	7375	
	80	65	75063	60897	4476	71687	59474	5058	68526	57753	5709	64174	56264	6458	62321	55470	6863	60269	54609	7316	
	80	63	72580	65266	4427	69502	63810	5009	66721	62188	5670	62155	60368	6419	59971	59276	6813	57886	57886	7257	
	78	69	80027	48718	4575	76784	47460	5167	73908	46037	5827	69205	44349	6577	67153	43456	6981	64935	42529	7425	
	78	67	77015	52623	4516	73838	51366	5098	71100	50009	5768	66656	48453	6517	64737	47626	6922	62552	46699	7365	
	78	65	74864	56959	4467	71720	55668	5058	68292	53749	5699	64042	52325	6458	62155	51564	6863	60103	50671	7306	
	78	63	72448	61261	4427	69370	59805	5009	66621	58183	5670	62188	56462	6419	60004	55403	6813	57753	54344	7257	
	76	69	79895	44283	4565	76651	43025	5157	73774	41668	5827	69072	40311	6577	67053	39484	6971	64803	38524	7425	
	76	67	76850	48552	4506	73739	47361	5098	70966	46004	5758	66557	44448	6517	64637	43621	6912	62453	42694	7365	
	76	65	74798	52855	4467	71786	51697	5058	68326	49810	5709	63975	48288	6458	62089	47493	6853	60070	46633	7306	
	76	63	72382	57224	4417	69304	55801	5009	66587	54179	5670	62155	52458	6419	60070	51465	6813	57687	50340	7257	
	84.2	66.2	77313	70032	4516	74070	68774	5107	71267	67351	5768	66789	65796	6517	64836	64836	6922	62618	62618	7365	
	82	69	81715	59044	4605	78306	57720	5196	75245	56198	5857	70429	54477	6606	68344	53583	7001	66060	52623	7454	
	82	67	78538	63413	4545	75261	62122	5127	72437	60699	5798	67848	59077	6547	65796	58217	6941	63578	57257	7395	
	82	65	75758	67748	4486	72382	66325	5068	69596	64935	5729	65200	63380	6488	63280	62552	6882	61162	61162	7336	
	82	63	73838	72547	4447	70462	70462	5029	67724	66458	5689	63644	63644	6448	62023	62023	6853	60269	60269	7316	
	80	69	81616	54708	4605	78240	53384	5196	75178	51862	5857	70330	50141	6606	68245	49247	7001	65961	48288	7454	
	80	67	78505	59011	4545	75228	57720	5127	72404	56330	5798	67815	54708	6547	65763	53815	6941	63545	52855	7395	
	80	65	75857	63479	4486	72316	61956	5068	69562	60566	5729	65134	59011	6478	63247	58217	6882	61129	57323	7336	
	80	63	73772	68212	4447	70429	66623	5029	67490	65068	5689	62685	62685	6429	61030	61030	6833	59077	58812	7287	
	78	69	81384	50472	4605	78041	49181	5186	74978	47626	5857	70164	45905	6596	68046	45044	7001	65763	44051	7444	
	78	67	78306	54775	4536	75030	53484	5127	72203	52061	5788	67649	50472	6537	65597	49612	6941	63380	48652	7385	
	78	65	75923	59375	4486	72084	57621	5068	69395	56297	5729	65001	54741	6478	63082	53947	6882	60997	53054	7326	
	78	63	73639	63876	4447	70330	62321	5029	67557	60897	5689	62519	58779	6419	60666	57985	6823	58581	57124	7277	
	76	69	81252	45938	4595	77876	44779	5186	74844	43323	5847	70032	41602	6596	67947	40709	6991	65663	39749	7444	
	76	67	78174	50439	4536	74897	49148	5127	72069	47758	5788	67550	46136	6537	65498	45276	6941	63280	44316	7385	
	76	65	75989	55072	4496	72084	53318	5068	69328	51928	5729	64902	50373	6478	63016	49578	6882	60897	48685	7326	
	76	63	73573	59540	4447	70264	57952	5029	67423	56496	5689	62552	54510	6429	60566	53616	6823	58514	52789	7277	

Notes:
- Power Input (Watts) Is Compressor Power.

Cooling Performance Data

7.5 TR (3RTH090GC1) Performance Table

3 TO 25 TONS / R407C - 50 HZ

Model	Evaporator or CFM	DBT (°F)	WBT (°F)	85			95			105			115			120			125		
				Capacity Btu/hr	Sensible Capacity Btu/hr	Power Input (Watts)	Capacity Btu/hr	Sensible Capacity Btu/hr	Power Input (Watts)	Capacity Btu/hr	Sensible Capacity Btu/hr	Power Input (Watts)	Capacity Btu/hr	Sensible Capacity Btu/hr	Power Input (Watts)	Capacity Btu/hr	Sensible Capacity Btu/hr	Power Input (Watts)	Capacity Btu/hr	Sensible Capacity Btu/hr	Power Input (Watts)
3RTH090GC1	2025	84.2	66.2	94433	73372	5914	90535	71570	6643	86375	69670	7469	82052	67574	8400	79300	66100	8880	76641	64658	9387
		82	69	99543	63414	6000	94925	61350	6720	90142	59320	7546	85655	57518	8477	83362	56601	8966	81130	55698	9484
		82	67	95842	67476	5942	91878	65674	6672	87686	63742	7498	82674	61285	8410	80119	60106	8899	77643	58949	9417
		82	65	92402	71374	5885	88570	69605	6605	84476	67705	7430	80152	65609	8362	77957	64528	8851	75823	63465	9369
		82	63	88832	74977	5818	85262	73339	6547	81397	71570	7373	77171	69507	8294	75042	68458	8784	72972	67426	9303
		80	69	99478	59221	6000	94990	57485	6730	90044	55520	7536	85589	53751	8477	83296	52834	8966	81065	51933	9484
		80	67	95809	63316	5942	91846	61809	6672	87653	59942	7498	82740	57551	8410	80086	56273	8890	77518	55024	9397
		80	65	92370	67607	5875	88505	65838	6605	84410	63938	7430	80119	61842	8362	77925	60761	8842	75790	59699	9349
		80	63	88799	71210	5818	85229	69572	6547	81364	67803	7373	77138	65740	8294	75009	64692	8784	72939	63660	9303
		78	69	99248	54996	6000	94957	53358	6720	89782	51295	7536	85426	49526	8467	83133	48641	8957	80901	47773	9475
		78	67	95612	59156	5933	91682	57616	6662	87489	56011	7488	82740	53948	8410	80054	52703	8890	77455	51487	9397
		78	65	92206	63676	5875	88374	61940	6605	84279	60106	7430	79955	58108	8352	77761	57027	8842	75626	55966	9360
		78	63	88668	67476	5818	85065	65838	6547	81233	64069	7373	77040	62006	8294	74878	60957	8784	72777	59927	9303
		76	69	99150	50672	6000	94826	49002	6720	89782	47004	7536	85327	45202	8467	83034	44318	8957	80803	43451	9475
		76	67	95547	54832	5933	91584	53325	6662	87391	51720	7488	82838	49853	8419	80119	48707	8890	77490	47587	9386
		76	65	92140	59385	5875	88308	57649	6605	84214	55815	7430	79923	54013	8352	77695	53129	8842	75530	52259	9360
		76	63	88603	63643	5818	85032	62038	6547	81167	60270	7373	76975	58206	8294	74846	57158	8774	72775	56129	9282
		2857	84.2	66.2	100296	86441	6019	96071	84803	6749	91518	83002	7565	86736	81036	8496	84279	80021	8986	81892	79018
	82		69	105898	73535	6115	101443	71799	6845	96562	69867	7670	91420	67705	8592	88799	66624	9082	86254	65560	9599
	82		67	101901	78645	6048	97545	76975	6768	92959	75140	7594	88111	73175	8525	85589	72094	9014	83139	71029	9532
	82		65	99347	84312	6000	94138	81921	6710	89487	80054	7526	84738	78121	8458	82347	77138	8947	80023	76168	9465
	82		63	95940	89913	5942	91715	87980	6662	87325	85950	7488	82445	82248	8410	80021	80021	8890	77668	77854	9397
	80		69	105799	68393	6115	101345	66657	6845	96497	64757	7670	91321	62595	8592	88701	61482	9082	86156	60388	9599
	80		67	101869	73437	6048	97512	71767	6768	92894	69965	7594	88079	67967	8525	85557	66919	9014	83107	65887	9532
	80		65	99216	79137	6000	94269	76909	6710	89422	74878	7526	84672	72979	8458	82281	71996	8938	79957	71027	9445
	80		63	95907	84770	5942	91682	82805	6662	87260	80742	7488	81888	78088	8400	79137	76745	8870	76478	75426	9367
	78		69	105603	63283	6115	101115	61580	6835	96300	59680	7661	91125	57518	8592	88505	56404	9082	85959	55312	9599
	78		67	101639	68360	6038	97316	66690	6768	92697	64888	7594	87882	62890	8525	85393	61842	9014	82974	60811	9532
	78		65	99052	73994	6000	94335	71996	6710	89225	69769	7526	84541	67869	8448	82117	66886	8938	79763	65918	9456
	78		63	95743	79661	5942	91551	77695	6662	87096	75632	7478	81954	73110	8400	79169	71799	8870	76480	70513	9367
	76		69	105472	57453	6106	101017	55749	6835	96202	53882	7661	91027	51819	8592	88406	50869	9072	85861	49936	9579
	76		67	101541	63152	6038	97217	61482	6768	92632	59680	7594	87784	57682	8515	85327	56666	9005	82939	55669	9523
	76		65	98986	68819	5990	94466	66919	6720	89127	64528	7517	84476	62661	8448	82052	61678	8938	79697	60711	9456
	76		63	95678	74453	5933	91485	72487	6662	87031	70424	7478	82052	68033	8400	79268	66722	8880	76578	65437	9387
	3121		84.2	66.2	102000	90830	6048	97578	89094	6768	92927	87260	7594	88013	85262	8525	85491	84181	9014	83041	83114
		82	69	107666	76647	6154	102982	74813	6874	97938	72815	7699	92632	70620	8621	89979	69507	9110	87401	68410	9628
		82	67	103572	82314	6077	99084	80578	6797	94368	78711	7622	89323	76614	8554	86736	75533	9043	84223	74468	9561
		82	65	99707	87620	6010	95383	85950	6730	90797	84148	7555	85982	82150	8477	83526	81135	8966	81139	80132	9484
		82	63	97512	94204	5971	93156	92206	6691	88505	88046	7507	84148	84148	8438	82052	82052	8938	80008	80008	9466
		80	69	107568	71079	6144	102884	69277	6874	97840	67246	7690	92566	65052	8621	89880	63938	9110	87272	62844	9628
		80	67	103506	76680	6077	99052	74944	6797	94335	73077	7622	89291	70981	8554	86703	69900	9043	84190	68835	9561
		80	65	99871	82216	6010	95350	80349	6730	90765	78547	7555	85917	76582	8477	83460	75566	8966	81074	74564	9484
80		63	97447	88603	5971	93025	86539	6691	87882	84181	7498	82871	81691	8419	80774	80545	8909	78731	79415	9427	
78		69	107339	65576	6144	102688	63774	6864	97643	61776	7690	92370	59582	8621	89684	58435	9101	87076	57311	9608	
78		67	103310	71177	6067	98855	69441	6797	94138	67607	7622	89127	65510	8544	86506	64429	9034	83963	63366	9551	
78		65	99969	78876	6010	95187	74813	6730	90601	73044	7546	85753	71046	8477	83296	70031	8966	80910	69030	9484	
78		63	97316	83100	5962	92927	81069	6691	87948	78809	7498	82478	76254	8410	80152	75304	8899	77892	74366	9417	
76		69	107208	59516	6144	102557	57747	6864	97545	55880	7690	92239	53948	8611	89585	52834	9101	87009	51743	9618	
76		67	103212	65543	6067	98757	63807	6797	94040	61973	7622	89029	59877	8544	86441	58796	9034	83929	57734	9551	
76		65	100133	71374	6019	95088	69113	6730	90535	67377	7546	85688	65412	8477	83231	64397	8966	80845	63397	9484	
76		63	97250	77466	5962	92894	75435	6691	88079	73306	7498	82445	70620	8410	80086	69670	8890	77796	68733	9397	

Notes:
- Power Input (Watts) Is Compressor Power.

Cooling Performance Data

10 TR (3RTH120GC2) Performance Table

3 TO 25 TONS / R407C - 50 HZ

Model	Evaporator CFM	DBT (°F)	WBT (°F)	85			95			105			115			120			125			
				Capacity Btu/hr	Sensible Capacity Btu/hr	Power Input (Watts)	Capacity Btu/hr	Sensible Capacity Btu/hr	Power Input (Watts)	Capacity Btu/hr	Sensible Capacity Btu/hr	Power Input (Watts)	Capacity Btu/hr	Sensible Capacity Btu/hr	Power Input (Watts)	Capacity Btu/hr	Sensible Capacity Btu/hr	Power Input (Watts)	Capacity Btu/hr	Sensible Capacity Btu/hr	Power Input (Watts)	
3RTH120GC2	2700	84.2	66.2	120901	92968	6979	115970	88467	7897	110972	88467	8934	105644	85918	10090	103195	84958	10702	99852	83370	11373	
		82	69	127057	79696	7072	122060	77810	7999	115473	74963	9019	110542	72978	10192	107994	71985	10804	105280	70892	11492	
		82	67	122788	85223	7013	117823	83006	7931	112495	80623	8959	107265	78405	10124	104022	76916	10719	101043	75592	11399	
		82	65	118121	90320	6936	113488	88235	7863	108523	85984	8891	103526	83568	10047	101043	82377	10651	98296	81053	11331	
		82	63	113521	95119	6868	108986	93100	7786	104386	91015	8815	99587	88698	9962	97171	87540	10574	94556	86282	11246	
		80	69	127024	74765	7072	122159	72978	7999	115506	70065	9019	110509	68046	10192	107960	67053	10804	105247	65961	11492	
		80	67	122788	80226	7013	117823	78008	7931	112495	75559	8959	107398	73474	10124	104154	72018	10719	101010	70595	11399	
		80	65	118121	85389	6936	113454	83304	7863	108523	81053	8891	103526	78637	10047	101043	77446	10651	98263	76089	11331	
		80	63	113488	90188	6868	108986	88169	7786	104353	86084	8815	99587	83767	9962	97138	82609	10566	94523	81351	11246	
		78	69	126825	69833	7072	121894	67947	7999	115606	65332	9019	110376	63181	10183	107795	62188	10804	105081	61096	11492	
		78	67	122622	75394	7004	117658	73143	7931	112395	70793	8959	107265	68642	10124	104254	67285	10727	100812	65729	11390	
		78	65	117956	80490	6936	113322	78438	7854	108358	76155	8883	103393	73739	10039	100911	72547	10651	98197	71257	11331	
		78	63	113355	85323	6868	108854	83271	7786	104221	81185	8806	99455	78902	9962	97039	77710	10566	94424	76453	11246	
		76	69	126792	64836	7072	121795	62949	7999	115738	60434	9019	110343	58183	10183	107795	57191	10804	105048	56098	11492	
		76	67	122589	70363	7004	117658	68145	7931	112362	65729	8959	107199	63578	10115	104353	62387	10727	100944	60864	11390	
		76	65	117956	75493	6936	113289	73441	7854	108358	71157	8883	103360	68741	10039	100878	67550	10651	98164	66226	11331	
		76	63	113355	80325	6868	108821	78306	7786	104221	76221	8806	99455	73937	9962	97006	72746	10566	94424	71488	11246	
		3810	84.2	66.2	128149	109715	7089	122324	107332	8007	116930	105280	9044	111469	103095	10209	108788	102003	10821	105908	100845	11509
	82		69	134802	92405	7191	129341	90353	8126	123781	88202	9172	118022	85852	10345	115109	84661	10957	111998	83403	11654	
	82		67	129606	99223	7115	124277	97138	8041	118849	95086	9078	113388	92835	10243	110674	91743	10863	107762	90585	11552	
	82		65	126561	106637	7064	120901	104386	7982	114183	101341	8993	108953	99322	10158	106273	98296	10770	103393	97138	11450	
	82		63	122390	113819	7004	117161	111436	7922	111502	108854	8942	106438	105875	10107	103625	103625	10710	101209	101209	11399	
	80		69	134769	85720	7191	129308	83635	8126	123747	81516	9172	117989	79167	10345	115076	77975	10957	111965	76684	11654	
	80		67	129572	92405	7115	124310	90419	8041	118882	88334	9078	113388	86084	10243	110674	84992	10863	107762	83800	11552	
	80		65	126528	99951	7064	121100	97833	7982	114282	94788	8993	108953	92637	10158	106239	91611	10770	103393	90452	11450	
	80		63	122390	107133	7004	117128	104750	7922	111502	102202	8942	106140	99984	10098	102930	98495	10693	99620	96575	11365	
	78		69	134570	79100	7191	129109	77015	8118	123549	74897	9163	117823	72547	10336	114911	71356	10957	111800	70098	11645	
	78		67	129241	85753	7106	124112	83833	8033	118684	81715	9070	113223	79498	10243	110509	78405	10863	107596	77214	11552	
	78		65	126362	93299	7064	121232	91379	7990	114447	88367	8993	108788	86018	10149	106107	84958	10761	103228	83833	11450	
	78		63	122258	100514	7004	116996	98098	7914	111402	95516	8942	105875	93233	10090	103062	92074	10702	99587	90419	11365	
	76		69	134537	72316	7191	129043	70231	8118	123516	68112	9163	117757	65763	10336	114878	64571	10957	111733	63280	11645	
	76		67	129473	79100	7115	124078	77048	8033	118651	74963	9070	113190	72713	10243	110476	71621	10863	107563	70429	11552	
	76		65	126362	86514	7064	121100	84495	7982	114646	81748	9002	108788	79266	10149	106107	78207	10761	103228	77082	11450	
	76		63	122225	93729	7004	116963	91346	7914	111369	88798	8942	105842	86448	10090	103228	85422	10702	99719	83800	11365	
	4162		84.2	66.2	129572	114811	7115	124145	112759	8033	118651	110641	9070	113123	108391	10243	110376	107265	10855	107431	106074	11543
			82	69	136953	96277	7225	131360	94159	8160	125601	91942	9206	119610	89493	10379	116632	88268	10991	113488	87010	11688
			82	67	131657	103724	7149	126197	101639	8067	120636	99521	9112	115043	97237	10277	112263	96145	10897	109185	94887	11586
			82	65	127951	111502	7089	121265	108589	7990	116003	106604	9027	110476	104419	10183	107762	103327	10804	104849	102135	11484
			82	63	124277	119147	7030	118518	116532	7939	113388	113355	8976	108556	108556	10149	106273	106273	10770	103790	103790	11458
			80	69	136887	89062	7225	131293	86911	8160	125535	84694	9197	119544	82245	10370	116599	81020	10991	113454	79762	11688
			80	67	131691	96443	7149	126197	94358	8067	120669	92207	9112	115076	89956	10285	112296	88831	10897	109218	87573	11586
		80	65	128182	104419	7089	121298	101407	7990	116003	99355	9027	110476	97204	10183	107762	96079	10804	104849	94920	11484	
80		63	124277	111965	7030	118419	109317	7939	113190	107398	8976	106802	103724	10115	104485	102599	10727	101440	101440	11407		
78		69	136688	81914	7225	131095	79762	8152	125369	77545	9197	119379	75096	10370	116400	73871	10991	113256	72580	11679		
78		67	131492	89327	7140	125998	87209	8067	120471	85091	9104	114878	82807	10277	112098	81682	10897	109053	80424	11586		
78		65	128381	97469	7098	121497	94424	7990	115870	92207	9019	110310	90055	10183	107596	88930	10795	104684	87772	11484		
78		63	124178	104783	7030	118287	102169	7939	112892	100084	8968	106670	97337	10107	103360	95781	10702	100580	94656	11382		
76		69	136655	74566	7225	131062	72415	8152	125336	70231	9197	119346	67748	10370	116367	66524	10991	113190	65266	11679		
76		67	131459	81980	7140	125998	79895	8067	120438	77777	9104	114845	75493	10277	112064	74368	10897	109020	73110	11577		
76		65	128580	90254	7098	121729	87275	7999	115837	84892	9019	110310	82708	10183	107563	81616	10795	104684	80457	11484		
76		63	124178	97436	7030	118287	94854	7939	112859	92769	8968	106835	90188	10115	103526	88632	10710	100514	87374	11382		

Notes:
- Power Input (Watts) Is Compressor Power.

Cooling Performance Data

12.5 TR (3RTH0150GC2) Performance Table

3 TO 25 TONS / R407C - 50 HZ

Model	Evaporator CFM	DBT (°F)	WBT (°F)	85			95			105			115			120			125		
				Capacity Btu/hr	Sensible Capacity Btu/hr	Power Input (Watts)	Capacity Btu/hr	Sensible Capacity Btu/hr	Power Input (Watts)	Capacity Btu/hr	Sensible Capacity Btu/hr	Power Input (Watts)	Capacity Btu/hr	Sensible Capacity Btu/hr	Power Input (Watts)	Capacity Btu/hr	Sensible Capacity Btu/hr	Power Input (Watts)	Capacity Btu/hr	Sensible Capacity Btu/hr	Power Input (Watts)
3RTH150GC2	3375	84.2	66.2	143763	113366	8949	137637	110647	10128	129973	107241	11422	122537	104063	12915	118967	102655	13723	115036	101148	14617
		82	69	149757	96235	9082	143632	93909	10271	136982	91387	11602	129842	88472	13114	126009	86900	13904	121817	85164	14798
		82	67	145892	103343	8996	139210	100624	10166	131545	97381	11460	124568	94630	12972	120965	93189	13770	117067	91584	14674
		82	65	140618	110188	8882	134689	107503	10062	128237	104620	11383	120441	100919	12867	116084	98888	13647	112383	97447	14550
		82	63	135344	116641	8768	129645	114054	9947	123323	111204	11269	116543	107928	12772	113071	106258	13571	109271	104456	14465
		80	69	149691	89880	9082	143599	87620	10261	136917	85098	11602	129809	82183	13105	125976	80611	13904	121784	78875	14798
		80	67	145924	97054	8996	139439	94368	10166	131512	90994	11460	124634	88275	12972	120998	86834	13770	117100	85262	14674
		80	65	140618	103867	8882	134689	101214	10062	128204	98298	11383	120572	94728	12867	116248	92730	13647	112383	91158	14550
		80	63	135344	110352	8768	129645	107765	9938	123323	104915	11269	116543	101639	12772	113071	99969	13571	109271	98135	14465
		78	69	149298	83591	9073	143402	81397	10261	136720	78875	11593	129612	75959	13105	125813	74387	13904	121620	72651	14798
		78	67	145793	90797	8996	139570	88275	10166	131250	84770	11460	124437	82052	12972	120834	80643	13770	116903	79038	14664
		78	65	140454	97676	8873	134493	94990	10052	128040	92042	11374	120703	88668	12867	116346	86670	13656	112252	84901	14541
		78	63	135181	104129	8768	129481	101541	9938	123160	98659	11260	116412	95416	12762	112940	93745	13561	109140	91911	14465
		76	69	149396	77302	9073	143370	75009	10261	136687	72487	11593	129580	69572	13105	125780	68000	13904	121587	66264	14798
		76	67	145793	84443	8996	139537	81986	10166	131414	78514	11460	124437	75665	12972	120834	74256	13770	116903	72684	14664
	76	65	140422	91289	8873	134493	88603	10052	128040	85655	11374	120834	82412	12877	116510	80414	13656	112187	78547	14541	
	76	63	135181	97774	8768	129481	95187	9938	123160	92304	11260	116412	89061	12762	112907	87358	13561	109108	85524	14465	
	84.2	66.2	151395	135181	9120	144843	132724	10299	137768	129973	11621	130333	126795	13124	126894	124666	13932	122504	122504	14817	
	82	69	160369	113267	9320	153262	110549	10499	145564	107568	11821	137375	104194	13314	133183	102491	14103	128269	100493	14978	
	82	67	153917	122079	9177	147333	119556	10356	140160	116805	11678	132200	113562	13171	128106	111859	13961	123651	110025	14855	
	82	65	147955	130366	9044	141568	127909	10214	134558	125223	11536	127090	122210	13038	123684	120408	13847	119982	118246	14750	
	82	63	144516	139832	8968	138194	138194	10138	132298	132298	11479	125976	125976	13010	122766	122766	13818	119196	119196	14731	
	80	69	160337	104686	9320	153229	101934	10499	145531	98953	11821	137310	95612	13314	133150	93909	14103	128237	91944	14978	
	80	67	153982	113399	9177	147366	110876	10356	140192	108125	11678	132233	104882	13171	128138	103179	13961	123651	101345	14855	
	80	65	147922	121751	9044	141535	119327	10214	134558	116674	11536	127090	113628	13038	123258	112056	13837	119032	110352	14721	
	80	63	144450	131217	8968	137768	128531	10128	130169	124208	11431	123553	123225	12943	119917	119917	13742	116379	116379	14655	
	78	69	160107	96169	9320	153032	93451	10499	145335	90470	11811	137113	87129	13304	132986	85426	14103	128106	83460	14978	
	78	67	153753	104915	9168	147136	102393	10347	139963	99641	11678	132036	96399	13171	127942	94728	13961	123487	92894	14845	
	78	65	147497	113169	9035	141371	110876	10214	134395	108190	11536	126926	105144	13029	123094	103572	13828	118901	101869	14721	
	78	63	144352	122766	8958	137965	120244	10138	129547	116477	11412	121948	113300	12905	118181	111826	13694	114316	110025	14598	
	76	69	160042	87456	9320	153000	84738	10499	145302	81724	11811	137081	78383	13304	132953	76713	14094	128073	74747	14978	
	76	67	153720	96235	9168	147104	93713	10347	139930	90961	11678	132036	87718	13171	127942	86015	13961	123454	84181	14845	
	76	65	147726	104587	9035	141371	102196	10214	134362	99510	11536	126926	96464	13029	123094	94892	13828	118901	93189	14721	
	76	63	144319	114054	8958	137834	111433	10128	129776	107994	11422	121948	104653	12905	118181	103179	13694	114054	101541	14588	
	84.2	66.2	153622	142158	9168	146940	139603	10347	140225	136556	11678	132626	132626	13181	129219	129219	13999	125485	125485	14902	
	82	69	162564	118050	9377	155292	115266	10556	147431	112219	11868	138686	108715	13352	134231	107110	14132	129678	105570	15026	
82	67	156242	127876	9225	149462	125289	10404	141961	122406	11726	133805	119065	13219	129612	117329	14008	125059	115462	14893		
82	65	150117	137015	9092	143566	134493	10261	136687	131610	11593	129940	128007	13114	125845	125845	13904	122144	122144	14807		
82	63	147366	147366	9025	141765	141765	10223	135639	135639	11564	129154	129154	13095	125780	125780	13904	122111	122111	14807		
80	69	162531	108747	9377	155227	105963	10547	147398	102917	11868	138653	99445	13352	134198	97807	14132	129776	96366	15026		
80	67	156275	118476	9225	149495	115888	10404	141994	113005	11726	133838	109632	13219	129645	107928	14008	125092	106061	14893		
80	65	150117	127713	9092	143566	125223	10261	136425	122472	11583	128793	119360	13086	124830	117755	13875	120375	115921	14760		
80	63	145990	137605	8996	139406	133346	10166	132626	132626	11488	126173	126173	13010	122832	122832	13818	119163	119163	14731		
78	69	162302	99576	9367	155030	96759	10547	147169	93713	11868	138489	90241	13343	133969	88537	14132	129416	86998	15016		
78	67	156013	109304	9225	149265	106716	10404	141797	103834	11726	133641	100493	13209	129481	98757	13999	124896	96890	14883		
78	65	149921	118541	9082	143370	116019	10261	136229	113267	11583	128630	110188	13076	124699	108583	13875	120244	106749	14760		
78	63	146252	128662	9006	138260	125092	10138	130955	122177	11450	123913	118967	12953	120539	117165	13761	116609	115429	14655		
76	69	162269	90110	9367	154998	87325	10547	147136	84279	11859	138456	80774	13343	133936	79104	14122	129350	77564	15016		
76	67	156013	99903	9225	149233	97316	10404	141765	94433	11726	133608	91059	13209	129449	89356	13999	124896	87489	14883		
76	65	149921	109140	9082	143370	106618	10261	136229	103867	11583	128597	100788	13076	124666	99183	13875	120244	97348	14760		
76	63	146481	119425	9006	138522	115921	10147	130955	112809	11450	123454	109861	12943	119622	108321	13742	115462	106618	14626		

Notes:
- Power Input (Watts) Is Compressor Power.

Cooling Performance Data

15 TR (3RTH180GC2) Performance Table

3 TO 25 TONS / R407C - 50 HZ

Model	CFM	DBT (°F)	WBT (°F)	85			95			105			115			120			125			
				Capacity Btu/hr	Sensible Capacity Btu/hr	Power Input (Watts)	Capacity Btu/hr	Sensible Capacity Btu/hr	Power Input (Watts)	Capacity Btu/hr	Sensible Capacity Btu/hr	Power Input (Watts)	Capacity Btu/hr	Sensible Capacity Btu/hr	Power Input (Watts)	Capacity Btu/hr	Sensible Capacity Btu/hr	Power Input (Watts)	Capacity Btu/hr	Sensible Capacity Btu/hr	Power Input (Watts)	
3RTH180GC2	4050	84.2	66.2	184910	143043	12106	176966	139534	13581	168560	135795	15241	158532	130996	17041	153475	126817	18078	148579	122771	19242	
		82	69	194508	122721	12318	183983	118253	13747	175609	115142	15425	166574	111568	17263	161260	108009	18312	156116	104563	19492	
		82	67	187723	131095	12170	179713	127554	13646	170844	123747	15305	160153	118849	17078	155045	115058	18117	150099	111388	19283	
		82	65	181037	139170	12023	173227	135695	13498	164919	131988	15148	156182	127785	16968	151200	123709	17999	146376	119763	19158	
		82	63	174087	146650	11875	166839	143473	13351	158929	139965	15001	150456	135861	16811	145657	131527	17833	141010	127331	18981	
		80	69	194375	115175	12318	184215	110840	13756	175543	107563	15425	166508	103956	17263	161196	100640	18312	156054	97429	19492	
		80	67	187756	123383	12170	179747	119842	13646	170811	115970	15296	160087	111138	17078	154981	107592	18117	150037	104160	19283	
		80	65	181004	131558	12023	173193	128083	13498	164886	124343	15148	156182	120140	16968	151200	116307	17999	146376	112597	19158	
		80	63	174087	139071	11875	166806	135861	13351	158929	132353	15001	150423	128249	16811	145625	124157	17833	140979	120197	18981	
		78	69	193945	107431	12309	184413	103559	13756	175279	100017	15416	166276	96410	17254	160972	93334	18303	155837	90357	19481	
		78	67	187491	115870	12161	179482	112329	13646	170446	108391	15287	160087	103790	17078	154981	100479	18117	150037	97274	19283	
		78	65	180806	124045	12014	172995	120570	13489	164688	116830	15139	155983	112627	16968	151007	109034	17999	146190	105556	19158	
		78	63	173855	131525	11866	166607	128348	13341	158763	124807	14992	150258	120703	16802	145464	116852	17823	140824	113125	18971	
		76	69	193879	99719	12309	184645	96013	13765	175245	92306	15416	166276	88665	17254	160972	85837	18303	155837	83099	19481	
		76	67	187458	108159	12161	179449	104618	13636	170413	100646	15287	160286	96244	17088	155173	93174	18126	150223	90202	19294	
		76	65	180773	116334	12014	172962	112859	13489	164655	109119	15139	155950	104882	16968	150975	101537	17999	146159	98298	19158	
		76	63	173855	123847	11866	166574	120636	13341	158730	117128	14992	150225	113024	16802	145432	109419	17823	140793	105928	18971	
		5715	84.2	66.2	195004	169023	12327	186399	165780	13812	177264	162305	15471	167699	158432	17300	162350	153378	18351	157171	148486	19533
			82	69	205893	142546	12576	196924	139203	14061	187127	135464	15729	176768	131194	17558	171129	127009	18625	165670	122957	19825
			82	67	198082	153137	12401	189378	149894	13876	180144	146385	15545	170480	142447	17373	165041	137903	18430	159776	133504	19617
	82		65	192588	164158	12281	182328	159723	13710	173524	156414	15370	163993	152707	17189	158761	147835	18234	153697	143119	19408	
	82		63	187028	175676	12152	178621	172002	13618	169553	166475	15268	160716	160716	17097	155589	155589	18136	150626	150626	19304	
	80		69	205793	132154	12576	196824	128811	14061	187061	125071	15729	176702	120802	17558	171065	116948	18625	165608	113218	19825	
	80		67	198115	142679	12401	189411	139402	13876	180177	135894	15545	170480	131955	17383	165041	127746	18439	159776	123671	19627	
	80		65	192919	154031	12281	182262	149331	13710	173491	146054	15370	163960	142281	17189	158729	137743	18234	153666	133349	19408	
	80		63	187028	165283	12152	178621	161544	13618	169189	157473	15259	158333	151548	17032	153282	146714	18068	148393	142034	19231	
	78		69	205496	121861	12567	196526	118518	14051	186796	114811	15720	176437	110542	17549	170809	107016	18615	165360	103602	19814	
	78		67	197850	132419	12392	189146	129142	13876	179912	125634	15536	170215	121695	17373	164785	117813	18430	159528	114055	19617	
	78		65	193217	144069	12290	182527	139402	13710	173260	135761	15361	163794	131988	17189	158569	127778	18234	153511	123702	19408	
	78		63	186829	154990	12152	178390	151284	13618	168825	146981	15250	158201	142182	17032	153154	137647	18068	148269	133256	19231	
	76		69	205429	111336	12567	196460	107994	14051	186730	104254	15720	176371	99984	17549	170744	96795	18615	165298	93707	19814	
	76		67	197784	121927	12392	189080	118651	13876	179846	115109	15536	170182	111171	17364	164753	107624	18420	159497	104191	19606	
	76		65	193217	133610	12290	182858	129109	13719	173227	125270	15361	163761	121464	17189	158537	117589	18234	153480	113838	19408	
	76		63	186796	144466	12152	178356	140726	13618	168759	136456	15250	158466	131922	17032	153411	127714	18068	148517	123640	19231	
	6243		84.2	66.2	197950	177529	12401	189146	174186	13876	179780	170645	15536	170115	166640	17364	164689	161325	18420	159435	156178	19606
			82	69	209037	148570	12650	199637	145062	14134	189543	141156	15794	178952	136821	17622	173244	132456	18694	167717	128231	19898
			82	67	201094	160253	12465	192158	156910	13950	182725	153336	15609	172598	149199	17438	167092	144439	18498	161762	139832	19689
		82	65	193614	171175	12299	185042	167964	13775	175841	164489	15434	166177	160584	17254	160876	155461	18303	155744	150502	19481	
		82	63	189510	183851	12207	181335	180607	13682	172896	172896	15351	164621	164621	17207	159370	159370	18254	154286	154286	19429	
		80	69	208971	137350	12650	199571	133809	14125	189477	129903	15794	178886	125535	17622	173180	121530	18694	167655	117653	19898	
		80	67	201127	148901	12465	192191	145558	13950	182725	141950	15609	172631	137813	17438	167124	133417	18498	161793	129161	19689	
		80	65	193482	159789	12299	185042	156711	13775	175841	153236	15434	166177	149331	17254	160876	144567	18303	155744	139956	19481	
		80	63	189510	172664	12207	180773	169023	13673	170314	163099	15287	161908	159028	17134	156743	153955	18175	151743	149044	19346	
		78	69	208640	126197	12641	199307	122688	14125	189212	118783	15785	178621	114447	17613	172923	110796	18684	167407	107262	19887	
		78	67	200796	137813	12465	191893	134471	13941	182460	130863	15600	172399	126759	17429	166900	122716	18488	161576	118801	19679	
		78	65	193515	148868	12299	184843	145558	13765	175643	142083	15425	165945	138211	17244	160652	133802	18293	155527	129533	19471	
		78	63	189345	161477	12207	180408	157837	13664	169983	153369	15278	159789	149000	17069	154692	144247	18107	149757	139645	19273	
		76	69	208574	114778	12641	199240	111270	14125	189146	107398	15785	178555	103029	17613	172859	99742	18684	167345	96561	19887	
		76	67	200763	126428	12465	191827	123086	13941	182394	119478	15600	172333	115374	17429	166836	111694	18488	161513	108131	19679	
		76	65	193912	137747	12309	184843	134173	13765	175609	130698	15425	165912	126859	17244	160620	122812	18293	155496	118894	19471	
		76	63	189345	150125	12207	180309	146418	13664	170281	142248	15287	159756	137648	17069	154660	133257	18107	149726	129006	19273	

Notes:
- Power Input (Watts) Is Compressor Power.

Cooling Performance Data

18 TR (3RTH216GC2) Performance Table

3 TO 25 TONS / R407C - 50 HZ

Model	Evaporator CFM	DBT (°F)	WBT (°F)	85			95			105			115			120			125		
				Capacity Btu/hr	Sensible Capacity Btu/hr	Power Input (Watts)	Capacity Btu/hr	Sensible Capacity Btu/hr	Power Input (Watts)	Capacity Btu/hr	Sensible Capacity Btu/hr	Power Input (Watts)	Capacity Btu/hr	Sensible Capacity Btu/hr	Power Input (Watts)	Capacity Btu/hr	Sensible Capacity Btu/hr	Power Input (Watts)	Capacity Btu/hr	Sensible Capacity Btu/hr	Power Input (Watts)
3RTH216GC2	4860	84.2	66.2	195401	153336	11813	187028	149860	13408	176933	145790	15189	167038	141950	17244	160220	138740	18268	153336	135629	19433
		82	69	205694	131293	12035	196626	127984	13638	183520	122490	15374	173624	118617	17222	168361	116499	18543	162437	114315	19752
		82	67	198413	139898	11879	189278	136291	13460	179780	132882	15270	168163	127984	17274	161411	124939	18313	155983	122821	19529
		82	65	190999	148934	11724	182791	145492	13304	173822	141719	15107	163066	136787	17118	157936	134769	18194	152376	132584	19403
		82	63	183685	157572	11568	175676	154163	13141	166872	150456	14922	157473	146088	16947	152574	143804	18016	147014	141189	19210
		80	69	205661	122755	12035	197089	119809	13653	183486	113984	15374	173591	110112	17444	168328	108027	18535	162437	105776	19752
		80	67	198413	131128	11879	189345	127686	13460	179846	124277	15270	168593	119610	17289	161477	116334	18313	160500	114249	19529
		80	65	191032	140428	11724	182825	136953	13304	173822	133180	15107	163099	128282	17118	157969	126230	18194	152409	124145	19403
		80	63	183685	149066	11568	175709	145690	13141	166872	141950	14922	157473	137582	16947	152574	135298	18023	147014	132683	19210
		78	69	205429	114282	12028	196493	111072	13638	183950	105942	15382	173359	101672	17437	168097	99587	18528	162272	97303	19752
		78	67	198314	122821	11872	189080	119246	13460	179614	115837	15263	168990	111568	17303	161841	108325	18320	155851	105842	19522
		78	65	190801	131988	11716	182626	128546	13304	173591	124740	15100	162867	119842	17111	157771	117823	18186	152045	115540	19388
		78	63	183520	140627	11568	175510	137251	13133	166707	133511	14914	157307	129142	16940	152508	126726	18016	146849	124244	19210
		76	69	205429	105611	12028	196427	102334	13638	184413	97568	15397	173392	93034	17437	168097	90949	18528	162338	88632	19752
		76	67	198314	114249	11872	189080	110608	13460	179614	107199	15263	169420	103195	17318	162239	99951	18335	155851	97237	19522
		76	65	190834	123383	11716	182626	119908	13304	173624	116102	15100	162900	111237	17111	157771	109185	18186	152078	106888	19388
		76	63	183520	132055	11568	175510	128679	13133	166707	124906	14914	157307	120537	16940	152409	118253	18016	146882	115639	19210
		6858	84.2	66.2	206389	182295	12050	194276	177132	13586	184479	173657	15397	174550	169354	17474	169420	167137	18572	163099	161468
	82		69	214796	151118	12228	205198	147676	13853	194739	143936	15686	183685	139534	17763	178125	137383	18869	171009	134570	20056
	82		67	207183	163132	12065	197685	159624	13668	187458	155950	15478	176371	151846	17533	170777	149629	18617	164621	147180	19834
	82		65	203278	176735	11983	194177	173524	13579	180673	167666	15293	170513	163066	17348	165614	160782	18446	160054	158333	19670
	82		63	196063	187888	11827	187822	184016	13430	178125	174919	15226	168891	166020	17296	164125	161663	18402	158896	156830	19633
	80		69	214763	139634	12228	205165	136192	13853	194739	132386	15686	183652	128017	17763	178092	125866	18862	170976	123052	20056
	80		67	207845	151813	12080	197784	147974	13668	187557	144300	15486	176470	140196	17533	170844	137979	18624	164688	135530	19834
	80		65	203278	165217	11983	194276	162106	13586	181236	156447	15307	169851	151714	17326	164357	149530	18409	156976	147147	19611
	80		63	196096	176404	11827	186564	172598	13401	177000	169156	15196	166475	164952	17222	160683	157951	18283	155454	153433	19507
	78		69	214498	128249	12221	204933	124773	13846	194474	121000	15678	183420	116632	17756	177827	114414	18854	170877	111667	20056
	78		67	208507	140958	12095	197552	136622	13660	187359	132915	15478	176271	128811	17526	170612	126660	18617	164489	124178	19826
	78		65	203046	153766	11976	193779	150423	13571	181799	145558	15322	169652	140362	17326	164158	138177	18402	158135	135761	19604
	78		63	196030	165217	11827	186333	161179	13393	176834	157737	15189	166177	153633	17214	159723	150754	18253	152872	146617	19418
	76		69	214531	116532	12221	204933	113057	13846	194508	109284	15678	183420	104916	17756	177827	102698	18854	170844	99885	20049
	76		67	209169	129672	12109	197387	124939	13660	187326	121265	15478	176338	117095	17533	170612	114977	18617	164489	112495	19826
	76		65	203046	142083	11976	193779	138740	13571	182361	134239	15345	169685	128712	17326	164191	126528	18402	158168	124112	19604
	76		63	195997	153435	11827	186366	149563	13393	176834	146088	15189	166078	141851	17214	160220	139435	18268	152508	135861	19403
	7492		84.2	66.2	205992	189378	12035	197519	186200	13660	188153	182361	15500	177165	173622	17556	172201	169101	18669	166773	164104
		82	69	217774	157406	12295	207978	153898	13920	197321	150059	15760	185274	145359	17815	178919	142976	18891	172664	140924	20116
82		67	209600	170612	12117	200068	167203	13727	189642	163430	15545	178621	159061	17600	172896	156811	18691	166673	154329	19900	
82		65	206488	185605	12050	193680	180044	13571	183884	175643	15382	173028	171241	17459	168064	165711	18528	162536	160911	19759	
82		63	200299	194290	11917	191165	186300	13504	182229	178584	15337	172730	169966	17422	167832	166154	18520	162437	160813	19752	
80		69	217741	144962	12295	207945	141454	13920	197321	137615	15760	168891	120757	17296	178919	130532	18891	172631	128480	20116	
80		67	209699	158035	12117	200167	154593	13727	189775	150820	15545	178687	146485	17608	172962	144234	18691	166707	141752	19908	
80		65	206588	173193	12050	194342	167997	13586	182791	163430	15352	171969	159127	17392	166276	156976	18468	160187	154626	19678	
80		63	198214	184744	11872	189278	181534	13460	179581	177926	15263	169090	167399	17303	164224	162582	18402	158830	157559	19626	
78		69	217476	132683	12288	207680	129142	13913	197056	125303	15753	185141	120570	17808	178654	118154	18884	172432	116102	20108	
78		67	209500	145757	12117	200002	142315	13720	189576	138542	15537	178456	134239	17600	172730	131955	18684	166508	129473	19900	
78		65	206025	160650	12043	194971	156248	13601	182460	151085	15345	170480	146816	17392	166144	144664	18468	159889	142315	19663	
78		63	198016	172399	11872	189080	169189	13460	179052	165515	15248	166707	160220	17229	161444	156612	18313	155884	152766	19522	
76		69	217476	120008	12288	207713	116499	13913	197056	112627	15753	185075	107795	17808	178654	105511	18884	172432	103492	20108	
76		67	209269	132882	12109	200035	129672	13727	189642	125899	15545	178423	121629	17600	172763	119346	18684	166508	116863	19900	
76		65	206025	148040	12043	195633	144036	13616	182196	138244	15337	171803	134272	17392	166177	132055	18468	159922	129705	19663	
76		63	198016	159856	11872	189080	156645	13460	179052	152938	15248	167269	147974	17252	160120	144664	18268	153733	141984	19448	

Notes:
- Power Input (Watts) Is Compressor Power.

Cooling Performance Data

20 TR (3RTH240GC2) Performance Table

3 TO 25 TONS / R407C - 50 HZ

Model	Evaporator CFM	DBT (°F)	WBT (°F)	85			95			105			115			120			125		
				Capacity Btu/hr	Sensible Capacity Btu/hr	Power Input (Watts)	Capacity Btu/hr	Sensible Capacity Btu/hr	Power Input (Watts)	Capacity Btu/hr	Sensible Capacity Btu/hr	Power Input (Watts)	Capacity Btu/hr	Sensible Capacity Btu/hr	Power Input (Watts)	Capacity Btu/hr	Sensible Capacity Btu/hr	Power Input (Watts)	Capacity Btu/hr	Sensible Capacity Btu/hr	Power Input (Watts)
5400		84.2	66.2	227518	176813	14016	217855	172751	15888	205801	167576	17992	193747	162859	20416	185132	158732	21632	177271	155391	23040
		82	69	239506	151460	14264	228664	147497	16144	213662	141240	18192	201444	136458	20640	194959	133936	21936	187655	131250	23384
		82	67	231415	161712	14096	220574	157094	15952	209076	152901	18072	194730	146711	20440	187229	143501	21696	180285	140749	23144
		82	65	222375	171768	13912	212843	167739	15776	202132	163186	17896	189423	157225	20288	182905	154506	21560	170568	151460	22984
		82	63	213760	181431	13736	204491	177500	15584	194042	173046	17688	182676	167772	20088	176616	164922	21368	169672	161647	22792
		80	69	239441	141797	14264	229254	138129	16152	213367	131414	18192	201444	126795	20640	194992	124240	21936	187655	121555	23384
		80	67	231514	151919	14096	220672	147366	15952	209175	143107	18080	195221	137244	20456	187130	133674	21688	180350	131021	23144
		80	65	222375	162073	13912	212876	158044	15776	202165	153524	17896	189456	147595	20288	182905	144843	21560	175994	142059	23000
		80	63	213793	171768	13736	204523	167838	15584	194075	163383	17688	182709	158109	20088	176616	155260	21368	169705	151951	22792
		78	69	239178	132167	14256	228926	128466	16144	213662	122177	18200	201182	117231	20632	194762	114643	21928	187491	111925	23376
		78	67	231186	142387	14088	220508	137867	15952	208880	133543	18072	195680	128073	20472	186999	124273	21688	180121	121489	23136
		78	65	222146	152508	13904	212614	148479	15768	201903	143926	17888	189292	137932	20280	182676	135246	21552	175895	132560	23000
		78	63	213597	162204	13728	204327	158273	15576	193878	153818	17680	182512	148512	20080	176452	145695	21360	169541	142387	22792
		76	69	239178	122308	14256	228730	118508	16144	214186	112711	18208	201182	107404	20632	194762	104849	21928	187524	102065	23376
		76	67	231186	132560	14088	220475	128007	15952	208880	123716	18072	196138	118541	20480	187458	114709	21704	180121	111695	23136
		76	65	222146	142714	13904	212647	138686	15768	201936	134133	17888	189325	128302	20280	182676	125452	21552	175764	122603	22992
		76	63	213597	152443	13728	204327	148512	15576	193878	144057	17680	182512	138751	20080	176452	135901	21360	169541	132593	22792
		7620		84.2	66.2	239801	209437	14272	226764	204163	16096	214743	199839	18224	202722	194566	20680	196564	191683	21984	189325
82	69			250348	174585	14488	239146	170524	16392	226699	166003	18544	213236	160730	20992	206292	157978	22288	197940	154637	23720
82	67			240652	187851	14288	230236	184150	16176	218084	179761	18312	204786	174683	20736	197940	171965	22024	190373	168951	23472
82	65			237017	203737	14208	225618	199512	16072	209666	192470	18088	198169	187294	20544	192044	184445	21848	185198	181398	23304
82	63			229188	217101	14048	218969	211730	15912	207701	203547	18040	196335	192408	20488	190504	186694	21800	184084	180955	23264
80	69			250315	161450	14488	239113	157389	16392	226666	152869	18544	213204	147562	20984	206259	144811	22288	197907	141470	23720
80	67			241406	175044	14304	230367	170884	16184	218182	166462	18312	204851	161418	20736	198005	158699	22032	190439	155653	23472
80	65			237017	190603	14208	226306	186737	16088	210321	179761	18112	197186	174487	20512	190471	171834	21792	182905	168984	23224
80	63			229221	203934	14048	217691	199053	15888	205997	194664	17992	193190	187458	20400	186475	183678	21672	180055	177174	23120
78	69			250020	148447	14488	238818	144385	16384	226371	139865	18536	212942	134526	20976	205965	131774	22280	197809	128499	23712
78	67			242225	162531	14320	230171	157880	16176	217986	153458	18312	204556	148479	20728	197743	145728	22024	190177	142714	23464
78	65			236787	177566	14208	226011	173668	16080	210943	167346	18128	196990	161516	20504	186901	164693	21688	182741	155948	23224
78	63			228926	190930	14040	217560	185919	15880	205768	181628	17992	193092	176649	20392	184412	172653	21608	177042	168198	23032
76	69			250020	135082	14488	238851	131021	16384	226404	126468	18536	212942	121161	20984	205965	118410	22280	197776	115069	23712
76	67			243011	149593	14336	230204	144516	16176	218051	140127	18312	204622	135115	20736	197743	132429	22024	190209	129383	23464
76	65			236787	164235	14208	225847	160206	16072	211599	154474	18144	196990	148217	20504	190275	145564	21792	182807	142616	23224
76	63			228959	177631	14040	217560	172784	15880	205768	168329	17992	193059	163350	20392	184969	159780	21624	175568	155456	22984
8325				84.2	66.2	240390	218674	14280	230236	214579	16176	219067	209797	18336	206784	202648	20800	199970	195971	22088	193256
		82	69	253820	181890	14568	242388	177762	16464	229679	173144	18624	215595	167608	21056	207668	164529	22328	199512	161745	23776
		82	67	244288	196892	14360	233152	192895	16248	220803	188375	18384	207373	183069	20816	200396	180317	22104	192699	177238	23544
		82	65	239801	213466	14272	225126	206620	16056	214219	202067	18208	202165	196662	20656	195024	191124	21936	188342	184576	23408
		82	63	233643	226699	14144	223063	218602	16008	212417	208169	18160	200953	196934	20624	194893	191970	21936	188244	182597	23400
		80	69	253787	167674	14568	242356	163547	16464	229647	158928	18624	215595	153393	21056	207635	150314	22328	199479	147529	23768
		80	67	244321	182577	14368	233184	178581	16248	220836	174028	18384	207471	168722	20816	200495	165938	22104	192797	162859	23552
		80	65	240587	199708	14288	225749	193288	16072	212778	188277	18176	199577	183167	20584	192601	180579	21864	185493	177435	23312
		80	63	231186	213007	14088	220770	209240	15960	209306	205015	18080	196629	192697	20496	190635	186823	21800	184019	176658	23264
		78	69	253492	153622	14560	242061	149462	16456	229385	144843	18616	215464	139341	21056	207504	136229	22328	199217	133412	23760
		78	67	244059	168558	14360	232955	164529	16240	220574	160009	18376	207177	154703	20808	200200	151919	22096	192502	148840	23544
		78	65	240358	185591	14280	226502	179859	16088	212581	174225	18168	199414	169082	20576	192437	166462	21856	184772	163579	23288
		78	63	230924	198857	14088	220574	195123	15952	208421	190635	18056	193419	182381	20400	187360	179630	21696	180579	176518	23152
		76	69	253492	139177	14560	242094	135017	16456	229385	130366	18616	215431	124765	21056	207537	121849	22328	199217	118967	23760
		76	67	244092	154146	14360	233020	150084	16248	220639	145564	18384	207209	140291	20808	200233	137506	22096	192535	134427	23544
		76	65	240096	171048	14272	227223	165905	16112	212516	159747	18168	199479	154670	20584	192502	152082	21856	184805	149167	23288
		76	63	230924	184543	14088	220574	180776	15952	208421	17										

Cooling Performance Data

25 TR (3RTH300GC2) Performance Table

3 TO 25 TONS / R407C - 50 HZ

Model	Evaporator CFM	DBT (°F)	WBT (°F)	85			95			105			115			120			125		
				Capacity Btu/hr	Sensible Capacity Btu/hr	Power Input (Watts)	Capacity Btu/hr	Sensible Capacity Btu/hr	Power Input (Watts)	Capacity Btu/hr	Sensible Capacity Btu/hr	Power Input (Watts)	Capacity Btu/hr	Sensible Capacity Btu/hr	Power Input (Watts)	Capacity Btu/hr	Sensible Capacity Btu/hr	Power Input (Watts)	Capacity Btu/hr	Sensible Capacity Btu/hr	Power Input (Watts)
6750		84.2	66.2	294591	230550	19734	280128	224427	22199	263183	217443	24921	242994	208309	27869	234488	204933	29476	225089	201193	31262
		82	69	307168	195931	20069	289891	189113	22495	273873	183420	25272	256762	176834	28376	247727	173558	29999	238162	216667	31801
		82	67	299191	210592	19859	283173	203940	22292	264771	196493	24968	246998	189179	28018	238327	185836	29632	228829	182096	31418
		82	65	287939	223897	19555	274204	218205	22027	258516	211486	24765	240809	203311	27791	229854	198148	29305	219959	194011	31052
		82	63	276851	236540	19266	263547	230980	21715	248885	224791	24453	232734	217212	27495	224261	213207	29086	215060	208706	30857
		80	69	307962	183817	20093	289759	176503	22487	273840	170811	25272	256762	164158	28376	247760	160849	29999	238129	173786	31793
		80	67	299291	197817	19859	283272	191165	22292	265466	184181	24991	247098	176470	28018	238426	173127	29632	228895	169387	31418
		80	65	287939	211287	19555	274204	205529	22027	258516	198843	24765	241140	191032	27799	230450	185936	29320	219959	181401	31052
		80	63	276851	223930	19266	263580	218370	21723	248885	212214	24453	232734	204602	27495	224294	200564	29086	215060	196195	30857
		78	69	308756	172002	20116	288932	163695	22464	273509	158300	25264	256530	151548	28369	247528	148272	29991	237698	144598	31785
		78	67	298894	185340	19851	282908	178654	22285	266062	172333	25015	246767	164026	28010	238096	160650	29617	228597	156910	31403
		78	65	287608	198777	19547	273906	193051	22019	258218	186333	24757	240545	178158	27784	230947	173988	29344	219429	168725	31028
		78	63	276587	211420	19266	263282	205860	21707	248653	199671	24445	232502	192092	27487	224063	188087	29078	214796	183718	30841
		76	69	309153	159326	20124	289527	151251	22480	273509	145492	25264	256530	138740	28369	247594	135397	29991	237698	131757	31785
		76	67	298894	172498	19851	282908	165813	22285	266757	159922	25038	246767	151251	28010	238096	147875	29617	228597	144135	31403
		76	65	287608	185969	19547	273906	180243	22019	258251	173524	24757	240512	165350	27784	231509	161610	29367	219595	156083	31036
		76	63	276587	198711	19266	263282	193117	21707	248653	186928	24445	232502	179349	27487	224063	175312	29078	214796	170943	30841
	9525		84.2	66.2	306804	272416	20062	291414	266889	22542	275395	260469	25327	259211	252592	28470	250838	248455	30116	240710	238303
		82	69	323584	228067	20530	307565	222342	23033	290123	216053	25826	271225	208507	28922	261097	204403	30529	249282	199770	32269
		82	67	311536	246039	20194	295948	240445	22675	278970	234289	25444	260866	227141	28532	251566	223434	30147	240909	219297	31933
		82	65	302667	263944	19952	285523	257159	22363	269372	250904	25124	253187	243292	28244	244715	239419	29874	234720	232372	31660
		82	63	296378	283636	19781	282577	275197	22277	266790	259587	25038	251334	246307	28174	243325	240891	29827	234455	232110	31645
		80	69	323550	210791	20530	307532	205065	23033	290090	198810	25826	271192	191231	28922	261064	187094	30521	249249	182494	32269
		80	67	311603	228663	20194	296014	223070	22675	279036	216881	25444	260965	209732	28540	251665	205992	30147	241339	201855	31933
		80	65	303659	247362	19976	285357	239883	22355	268941	233925	25108	251102	227041	28166	241802	223566	29765	231774	219595	31535
		80	63	296213	266261	19781	279698	259509	22191	262686	249084	24905	246270	238882	27986	238195	231049	29624	229391	224803	31442
		78	69	323153	193713	20514	307135	187988	23018	289726	181699	25810	270861	174186	28907	260932	170149	30521	249050	165449	32253
		78	67	311272	211585	20186	295683	206025	22667	278672	199869	25436	260634	192720	28525	251301	188980	30139	241041	184876	31918
		78	65	304619	231112	20007	284795	222606	22339	268677	216848	25100	250904	209897	28158	241604	206422	29757	231443	202583	31520
		78	63	296113	249414	19773	279400	242332	22183	262355	235911	24890	242497	226015	27854	234323	222110	29476	225420	217708	31278
		76	69	323153	176205	20514	307135	170446	23018	289726	164158	25810	270861	156645	28907	260899	152641	30521	249050	147875	32253
		76	67	311338	194077	20186	295783	188484	22675	278771	182328	25436	260634	175212	28525	251301	171506	30139	241041	167368	31918
		76	65	305645	214233	20030	285721	205793	22370	268677	199439	25100	251003	192389	28166	241703	188914	29757	231509	185108	31528
		76	63	296113	231940	19773	279367	224890	22183	263183	219065	24921	241107	208871	27799	232535	205661	29406	222706	201723	31161
10400			84.2	66.2	311205	286085	20186	296908	279863	22706	281220	272979	25522	263613	255704	28634	255273	250167	30295	246105	243644
		82	69	327985	237698	20654	311603	231840	23158	293863	225453	25951	273078	217112	28993	262852	213571	30599	252195	209964	32386
		82	67	315707	257457	20311	299820	251764	22792	282511	245476	25561	264076	238195	28649	254578	234422	30264	243788	230020	32035
		82	65	304487	275925	19999	290322	269769	22503	274833	262984	25303	257358	249637	28400	248984	244005	30046	239916	237517	31871
		82	63	302104	293041	19937	288038	279397	22441	273012	267552	25241	257060	251919	28392	248786	246298	30038	239750	238312	31871
		80	69	327919	218999	20647	311570	213141	23158	293830	206753	25951	273045	198446	28993	262819	194872	30592	251897	191231	32378
		80	67	315806	238625	20311	299920	232899	22799	282610	226611	25568	264175	219297	28657	254677	215524	30272	243854	211122	32042
		80	65	304288	257060	19991	289130	251632	22472	272185	245476	25217	253916	238625	28275	245311	234554	29905	236077	229987	31715
		80	63	298894	278605	19851	283404	268379	22300	267452	259428	25061	251599	245309	28189	243424	239042	29827	234356	232715	31645
		78	69	327522	200531	20639	311205	194673	23143	293433	188252	25935	272880	179978	28985	262488	176271	30584	251599	172664	32362
		78	67	315376	220223	20296	299522	214498	22784	282213	208209	25553	263811	200895	28642	254346	197122	30256	243556	192753	32027
		78	65	304057	238526	19991	288865	233098	22464	271953	226942	25210	253651	220124	28259	244351	216417	29866	234190	212347	31637
		78	63	298596	260072	19843	283074	254346	22292	263348	244086	24921	247362	236507	28033	239022	232668	29656	229159	227555	31426
		76	69	327522	181534	20639	311205	175676	23143	293433	169255	25935	272847	160948	28985	262488	157307	30584	251599	153667	32362
		76	67	315409	201292	20296	299522	195567	22784	282213	189278	25553	263811	181964	28642	254313	178191	30256	243556	173789	32027
		76	65	305149	220257	20015	288932	214167	2												

Heating Performance Data

3 TR AND 4 TR

3 TO 25 TONS / R407C - 50 HZ

Model	Evaporator CFM	DBT (°F)	WBT (°F)	59		64.4		68		71.6	
				Capacity Btu/hr	Power Input (Watts)	Capacity Btu/hr	Power Input (Watts)	Capacity Btu/hr	Power Input (Watts)	Capacity Btu/hr	Power Input (Watts)
3RTH036	1040	53.6	51.8	38784	3091	38191	3246	37817	3349	37411	2460
		44.6	42.8	35383	3259	34696	3362	34104	3400	33479	2423
		39.2	37.4	33355	3310	32762	3413	32169	3452	31483	2451
		32	30.2	30016	3143	29798	3336	29392	3388	28768	2405
		24.8	21.2	24556	2576	24743	2834	24618	2937	24306	2131
		19.4	17.6	22465	2370	22278	2537	22028	2615	21685	1902
	1224	53.6	51.8	39345	2937	38815	3091	38409	3181	38004	2341
		44.6	42.8	35820	3117	35352	3272	34884	3336	38004	2405
		39.2	37.4	33479	3104	33323	3323	32918	3400	34322	2442
		32	30.2	29610	2859	30016	3194	29860	3310	32387	2396
		24.8	21.2	24119	2331	24681	2679	24743	2834	29486	2085
		19.4	17.6	22496	2241	22403	2447	22247	2550	24618	1865
	1407	53.6	51.8	39782	2808	39252	2962	38877	3066	38472	2250
		44.6	42.8	35913	2950	35726	3169	35383	3259	34915	2368
		39.2	37.4	33230	2885	33479	3194	33323	3323	32918	2414
		32	30.2	28893	2550	29891	3027	30016	3207	29829	2359
		24.8	21.2	23589	2087	24462	2525	24712	2731	24712	2039
		19.4	17.6	22496	2138	22434	2357	22340	2486	22153	1829

Model	Evaporator CFM	DBT (°F)	WBT (°F)	59		64.4		68		71.6	
				Capacity Btu/hr	Power Input (Watts)	Capacity Btu/hr	Power Input (Watts)	Capacity Btu/hr	Power Input (Watts)	Capacity Btu/hr	Power Input (Watts)
3RTH048	1424	53.6	51.8	57726	5076	55790	5036	54370	4995.42	52821	4928
		44.6	42.8	50175	4701	48401	4661	47078	4593.64	45626	4527
		39.2	37.4	44916	4339	43496	4339	42367	4299.01	41108	4232
		32	30.2	37946	3817	36752	3844	35784	3830.27	34848	3790
		24.8	21.2	31719	3281	30170	3268	29169	3254.39	28201	3228
		19.4	17.6	31299	3054	28589	2987	27040	2932.97	25588	2893
	1676	53.6	51.8	59630	5062	57919	5076	56629	5062.38	55209	5022
		44.6	42.8	51595	4661	50079	4687	48885	4674.00	47562	4620
		39.2	37.4	45852	4286	44722	4353	43722	4339.19	42593	4312
		32	30.2	38462	3750	37623	3844	36752	3843.66	35784	3830
		24.8	21.2	32719	3268	31041	3281	30008	3267.78	28976	3254
		19.4	17.6	33364	3094	30041	3027	28266	2973.15	26653	2920
	1927	53.6	51.8	60821	4995	59369	5062	58208	5075.78	56885	5062
		44.6	42.8	52400	4580	51174	4674	50141	4687.39	48947	4674
		39.2	37.4	46302	4178	45463	4312	44656	4352.58	43656	4339
		32	30.2	38719	3656	38106	3803	37461	3843.66	36525	3844
		24.8	21.2	33621	3268	31750	3268	30653	3281.17	29588	3268
		19.4	17.6	35622	3120	31363	3054	29330	2999.93	27555	2946

Heating Performance Data

5 TR AND 6 TR

3 TO 25 TONS / R407C - 50 HZ

Model	Evaporator CFM	DBT (°F)	WBT (°F)	59		64.4		68		71.6	
				Capacity Btu/hr	Power Input (Watts)	Capacity Btu/hr	Power Input (Watts)	Capacity Btu/hr	Power Input (Watts)	Capacity Btu/hr	Power Input (Watts)
3RTH060	1667	53.6	51.8	65977	5591	65645	5967	65446	6241	65247	6516
		44.6	42.8	61565	5389	61134	5750	60703	5996	60305	6256
		39.2	37.4	56523	5172	56192	5519	55959	5765	55694	6025
		32	30.2	51282	4970	51448	5302	51216	5548	50951	5793
		24.8	21.2	44383	4652	44515	4984	44383	5216	44217	5461
		19.4	17.6	41364	4522	41630	4854	41596	5086	41563	5331
	1962	53.6	51.8	66276	5230	65944	5591	65745	5837	65546	6111
		44.6	42.8	61996	5071	61466	5418	61200	5649	60869	5909
		39.2	37.4	56822	4883	56490	5216	56258	5461	56026	5707
		32	30.2	52045	4710	51713	5042	51481	5259	51249	5505
		24.8	21.2	-	-	44549	4768	44482	4984	44383	5216
		19.4	17.6	-	-	41563	4652	41596	4869	41596	5100
	2256	53.6	51.8	66441	4984	66176	5317	65977	5562	65745	5808
		44.6	42.8	62229	4840	61764	5172	61466	5403	61200	5649
		39.2	37.4	57021	4681	56689	4999	56490	5230	56225	5476
		32	30.2	52211	4522	51913	4840	51680	5071	51448	5302
		24.8	21.2	-	-	44515	4594	44515	4825	44482	5042
		19.4	17.6	-	-	41530	4493	41596	4710	41596	4941

Model	Evaporator CFM	DBT (°F)	WBT (°F)	59		64.4		68		71.6	
				Capacity Btu/hr	Power Input (Watts)	Capacity Btu/hr	Power Input (Watts)	Capacity Btu/hr	Power Input (Watts)	Capacity Btu/hr	Power Input (Watts)
3RTH072	1943	53.6	51.8	82404	6794	81392	7213	80739	7506	80141	7818
		44.6	42.8	71887	6206	71136	6612	70646	6905	70124	7199
		39.2	37.4	65812	5885	65192	6276	64767	6570	64343	6863
		32	30.2	59215	5563	58758	5955	58431	6220	58104	6514
		24.8	21.2	51409	5200	51148	5563	50952	5843	50756	6123
		19.4	17.6	47849	5032	47587	5396	47424	5661	47261	5941
	2286	53.6	51.8	83515	6332	82535	6738	81849	7017	81196	7311
		44.6	42.8	72606	5815	71887	6206	71269	6486	70842	6766
		39.2	37.4	66433	5549	65780	5927	65355	6192	64931	6472
		32	30.2	59607	5270	59150	5633	58823	5899	58496	6178
		24.8	21.2	51605	4948	51344	5312	51148	5563	50952	5829
		19.4	17.6	48045	4809	47751	5158	47587	5410	47392	5675
	2628	53.6	51.8	84331	6011	83352	6402	82698	6668	82012	6947
		44.6	42.8	73161	5549	72410	5927	71920	6178	71398	6458
		39.2	37.4	66858	5312	66237	5675	65812	5927	65388	6206
		32	30.2	59868	5060	59411	5410	59084	5661	58790	5927
		24.8	21.2	-	-	51474	5116	51278	5368	51082	5619
		19.4	17.6	-	-	47881	4990	47718	5228	47522	5480

Heating Performance Data

7.5 TR AND 10 TR

3 TO 25 TONS / R407C - 50 HZ

Model	Evaporator CFM	DBT (°F)	WBT (°F)	59		64.4		68		71.6	
				Capacity Btu/hr	Power Input (Watts)	Capacity Btu/hr	Power Input (Watts)	Capacity Btu/hr	Power Input (Watts)	Capacity Btu/hr	Power Input (Watts)
3RTH090	2428	53.6	51.8	112528	9578	111307	10148	110515	10568	109690	11002
		44.6	42.8	98602	8844	97678	9398	97084	9788	96490	10208
		39.2	37.4	90848	8454	90122	8994	89627	9383	89132	9788
		32	30.2	81773	8004	81146	8544	80783	8919	80387	9309
		24.8	21.2	71279	7525	70949	8034	70751	8394	70553	8784
		19.4	17.6	66593	7315	66296	7810	66098	8169	65933	8529
	2857	53.6	51.8	113980	8934	112759	9473	111934	9848	111109	10253
		44.6	42.8	99559	8304	98635	8814	98008	9189	97414	9578
		39.2	37.4	91573	7959	90815	8484	90320	8844	89825	9219
		32	30.2	82235	7585	81674	8094	81245	8439	80849	8814
		24.8	21.2	71510	7165	71180	7660	70982	8004	70784	8364
		19.4	17.6	66791	6985	66494	7465	66296	7795	66098	8154
	3285	53.6	51.8	115036	8484	113815	8994	113023	9353	112165	9728
		44.6	42.8	100285	7914	99328	8409	98734	8769	98107	9144
		39.2	37.4	92134	7630	91342	8109	90848	8454	90320	8829
		32	30.2	82631	7285	82037	7765	81641	8109	81212	8469
		24.8	21.2	71675	6910	71345	7375	71147	7720	70949	8064
		19.4	17.6	66956	6745	66626	7210	66428	7540	66230	7885

Model	Evaporator CFM	DBT (°F)	WBT (°F)	59		64.4		68		71.6	
				Capacity Btu/hr	Power Input (Watts)	Capacity Btu/hr	Power Input (Watts)	Capacity Btu/hr	Power Input (Watts)	Capacity Btu/hr	Power Input (Watts)
3RTH120	3238	53.6	51.8	141916	11792	140732	12554	139988	13087	139109	13647
		44.6	42.8	124498	10901	123483	11620	122773	12123	122130	12655
		39.2	37.4	114825	10426	113945	11116	113404	11620	112897	12137
		32	30.2	103190	9865	102514	10541	102074	11016	101668	11519
		24.8	21.2	90608	9290	90135	9937	89830	10397	89560	10872
		19.4	17.6	84656	9017	84182	9650	83878	10095	83607	10556
	3810	53.6	51.8	143336	11001	142051	11706	141240	12209	140495	12741
		44.6	42.8	125479	10239	124464	10915	123821	11404	123077	11893
		39.2	37.4	115636	9836	114723	10498	114114	10958	113573	11447
		32	30.2	103799	9362	103055	10009	102581	10455	102142	10929
		24.8	21.2	90947	8859	90439	9477	90135	9923	89830	10369
		19.4	17.6	84994	8614	84487	9232	84182	9664	83878	10110
	4191	53.6	51.8	144148	10613	142761	11303	141916	11778	141138	12296
		44.6	42.8	126020	9908	124937	10570	124295	11030	123618	11519
		39.2	37.4	116076	9534	115129	10182	114520	10642	113945	11116
		32	30.2	104103	9103	103359	9736	102852	10167	102412	10642
		24.8	21.2	91150	8643	90608	9247	90304	9678	90000	10124
		19.4	17.6	85163	8427	84656	9017	84318	9434	84013	9880

Heating Performance Data

12.5 TR AND 15 TR

3 TO 25 TONS / R407C - 50 HZ

Model	Evaporator CFM	DBT (°F)	WBT (°F)	59		64.4		68		71.6	
				Capacity Btu/hr	Power Input (Watts)	Capacity Btu/hr	Power Input (Watts)	Capacity Btu/hr	Power Input (Watts)	Capacity Btu/hr	Power Input (Watts)
3RTH150	4047	53.6	51.8	167991	14430	166521	15419	165461	16105	164435	16822
		44.6	42.8	146487	13282	145394	14223	144641	14877	143924	15578
		39.2	37.4	134762	12692	133873	13601	133257	14255	132642	14941
		32	30.2	120574	12023	119959	12900	119549	13538	119139	14207
		24.8	21.2	104917	11305	104575	12166	104404	12772	104233	13410
		19.4	17.6	97567	10986	97294	11815	97123	12405	96986	13043
	4762	53.6	51.8	169666	13506	167991	14414	167991	14414	165974	15754
		44.6	42.8	147410	12501	146351	13394	146351	13394	144881	14686
		39.2	37.4	135445	12007	134591	12868	134591	12868	133360	14127
		32	30.2	121019	11417	120403	12262	120403	12262	119583	13490
		24.8	21.2	105327	10811	104746	11624	104746	11624	104370	12820
		19.4	17.6	97738	10540	97465	11321	97465	11321	97089	12501
	5476	53.6	51.8	170931	12852	169221	13729	168093	14351	167102	15004
		44.6	42.8	148060	11959	147034	12804	146351	13410	145599	14048
		39.2	37.4	135924	11512	135103	12342	134522	12932	133907	13553
		32	30.2	121292	11002	120711	11815	120301	12389	119891	12995
		24.8	21.2	105498	10476	104986	11241	104712	11799	104507	12389
		19.4	17.6	97841	10221	97567	10986	97396	11528	97191	12102

Model	Evaporator CFM	DBT (°F)	WBT (°F)	59		64.4		68		71.6	
				Capacity Btu/hr	Power Input (Watts)	Capacity Btu/hr	Power Input (Watts)	Capacity Btu/hr	Power Input (Watts)	Capacity Btu/hr	Power Input (Watts)
3RTH180	4858	53.6	51.8	204671	17214	202980	18375	201853	19197	200444	20051
		44.6	42.8	179417	16134	178114	17231	177128	18020	176071	18826
		39.2	37.4	165399	15554	164378	16618	163603	17376	162793	18182
		32	30.2	148634	14845	147824	15893	147225	16618	146591	17392
		24.8	21.2	131868	14152	131411	15151	130953	15860	129967	16586
		19.4	17.6	122147	13749	121619	14716	121196	15409	120668	16134
	5715	53.6	51.8	206256	16151	204636	17231	203544	17988	202417	18810
		44.6	42.8	180368	15232	179241	16280	178396	17021	177410	17795
		39.2	37.4	166139	14748	165223	15764	164483	16473	163744	17231
		32	30.2	149092	14152	148422	15135	147859	15844	147260	16570
		24.8	21.2	132045	13556	131692	14523	131375	15200	130918	15909
		19.4	17.6	122359	13217	121936	14152	121584	14813	121091	15506
	6572	53.6	51.8	207383	15393	205868	16425	204777	17150	203649	17924
		44.6	42.8	181037	14603	179981	15603	179241	16312	178361	17053
		39.2	37.4	166632	14168	165787	15151	165117	15844	164413	16570
		32	30.2	149373	13652	148775	14603	148282	15280	147753	15989
		24.8	21.2	132150	13136	131868	14055	131587	14716	131234	15409
		19.4	17.6	122500	12830	122147	13733	121830	14378	121408	15055

Heating Performance Data

18 TR AND 20 TR

3 TO 25 TONS / R407C - 50 HZ

Model	Evaporator CFM	DBT (°F)	WBT (°F)	59		64.4		68		71.6	
				Capacity Btu/hr	Power Input (Watts)	Capacity Btu/hr	Power Input (Watts)	Capacity Btu/hr	Power Input (Watts)	Capacity Btu/hr	Power Input (Watts)
3RTH216	5829	53.6	51.8	256505	21806	255091	23328	254212	24404	253180	25538
		44.6	42.8	226268	20227	225197	21648	224509	22653	223783	23715
		39.2	37.4	208492	19351	207766	20715	207269	21691	206772	22710
		32	30.2	188881	18418	188384	19724	188078	20643	187734	21619
		24.8	21.2	166327	17370	165983	18605	165792	19480	165677	20399
		19.4	17.6	156082	16911	155891	18102	155738	18949	155623	19839
	6858	53.6	51.8	257882	20414	256505	21820	255588	22825	254709	23888
		44.6	42.8	227185	19078	226153	20414	225427	21361	224739	22352
		39.2	37.4	209104	18332	208339	19624	207842	20528	207383	21505
		32	30.2	189225	17528	188728	18763	188423	19653	188078	20571
		24.8	21.2	166442	16638	166212	17815	165983	18648	165792	19523
		19.4	17.6	156159	16222	155968	17385	155853	18188	155738	19050
	7886	53.6	51.8	259143	19437	257538	20758	256620	21720	255703	22725
		44.6	42.8	227911	18260	226803	19523	226115	20428	225427	21390
		39.2	37.4	209486	17600	208798	18834	208301	19710	207804	20629
		32	30.2	189455	16896	188996	18088	188652	18935	188346	19825
		24.8	21.2	166557	16093	166327	17241	166136	18045	165907	18892
		19.4	17.6	156197	15734	156044	16853	155929	17643	155815	18476

Model	Evaporator CFM	DBT (°F)	WBT (°F)	59		64.4		68		71.6	
				Capacity Btu/hr	Power Input (Watts)	Capacity Btu/hr	Power Input (Watts)	Capacity Btu/hr	Power Input (Watts)	Capacity Btu/hr	Power Input (Watts)
3RTH240	6477	53.6	51.8	287257	24202	287038	25969	286455	27208	285398	28476
		44.6	42.8	251997	22393	250466	23960	250976	25157	250247	26339
		39.2	37.4	230447	21339	230229	22892	229937	23974	229536	25128
		32	30.2	209372	20328	209116	21795	208752	22835	208278	23917
		24.8	21.2	186546	19259	186181	20641	184868	21581	184613	22607
		19.4	17.6	172945	18632	172799	19986	172544	20926	172216	21923
	7620	53.6	51.8	290101	22678	287294	24188	285470	25271	287038	26581
		44.6	42.8	253565	21125	251778	22564	250614	23604	250976	24772
		39.2	37.4	230375	20171	230411	21624	230265	22664	230010	23746
		32	30.2	209226	19316	209335	20712	209153	21709	208788	22735
		24.8	21.2	186145	18405	186655	19744	186145	20670	184868	21610
		19.4	17.6	172836	17863	172872	19160	172763	20071	172507	21026
	8763	53.6	51.8	292143	21595	289408	23034	287549	24060	285616	25128
		44.6	42.8	253747	20185	252982	21595	251742	22578	250612	23618
		39.2	37.4	229135	19302	230411	20741	230375	21724	230229	22764
		32	30.2	209007	18590	209299	19943	209335	20897	209080	21895
		24.8	21.2	185780	17778	186400	19088	178597	19687	185744	20926
		19.4	17.6	172653	17322	172872	18576	172836	19459	172690	20385

Heating Performance Data

25 TR

3 TO 25 TONS / R407C - 50 HZ

Model	Evaporator CFM	DBT (°F)	WBT (°F)	59		64.4		68		71.6	
				Capacity Btu/hr	Power Input (Watts)	Capacity Btu/hr	Power Input (Watts)	Capacity Btu/hr	Power Input (Watts)	Capacity Btu/hr	Power Input (Watts)
3RTH300	8096	53.6	51.8	326248	28588	323611	30446	321687	31740	319701	33108
		44.6	42.8	286561	26529	284637	28287	283303	29530	281938	30836
		39.2	37.4	263847	25399	262358	27119	261303	28337	260186	29605
		32	30.2	237906	24169	236696	25826	235827	26994	234896	28199
		24.8	21.2	211096	22951	209204	24483	207807	25550	206907	26705
		19.4	17.6	197226	22323	196481	23868	195923	24960	195302	26090
	9525	53.6	51.8	328855	26768	326403	28488	324666	29718	322804	30999
		44.6	42.8	288237	24998	286406	26655	285134	27835	283799	29065
		39.2	37.4	264995	24043	263630	25663	262637	26805	261582	28011
		32	30.2	238713	22989	237627	24558	236820	25675	235951	26831
		24.8	21.2	212276	21959	210507	23441	209204	24483	207807	25562
		19.4	17.6	197598	21407	196916	22888	196419	23943	195861	25035
	10954	53.6	51.8	330872	25500	328327	27132	326683	28287	324976	29517
		44.6	42.8	289385	23930	287647	25512	286437	26630	285165	27822
		39.2	37.4	265771	23077	264468	24633	263537	25738	262544	26893
		32	30.2	239240	22147	238248	23667	237503	24734	236665	25864
		24.8	21.2	213051	21256	211407	22700	210165	23704	209110	24784
		19.4	17.6	197816	20741	197226	22198	196761	23215	196233	24282

Fan Performance Data

3 TR / 4 TR / 5 TR / 6 TR / 7.5 TR / 10 TR

3 TO 25 TONS / R407C - 50 HZ

MODEL	SPEED MODE	AIR FLOW (CFM)						
		EXTERNAL STATIC PRESSURE (IN WG)						
		0.05	0.10	0.20	0.30	0.40	0.50	0.60
3RTH036GC1	LOW SPEED	1374	1302	1224	1141	1048
	HIGH SPEED	...	1385	1297	1214	1122
3RTH048GC1	LOW SPEED	1734	1665	1589	1510	1419
	HIGH SPEED	1831	1757	1676	1583	1488

MODEL : 3RTH060GC1													
ESP(inch of WG)	0.2		0.4		0.6		0.8		1.0		1.2		
Airflow(cfm)	RPM	KW	RPM	KW	RPM	KW	RPM	KW	RPM	KW	RPM	KW	
1400	629	0.16	736	0.23									
1600	626	0.19	727	0.25	823	0.32							
1962	634	0.25	724	0.32	809	0.39	890	0.46	969	0.55			
2000	635	0.26	725	0.33	809	0.4	889	0.47	967	0.56	1043	0.65	
2100	639	0.28	727	0.35	809	0.42	887	0.5	962	0.58	1036	0.67	

MODEL : 3RTH072GC1													
ESP(inch of WG)	0.2		0.4		0.6		0.8		1.0		1.2		
Airflow(cfm)	RPM	KW	RPM	KW	RPM	KW	RPM	KW	RPM	KW	RPM	KW	
1600	626	0.19	727	0.25	823	0.32							
1800	629	0.22	723	0.29	812	0.35	898	0.43					
2000	635	0.26	725	0.33	809	0.4	889	0.47	967	0.56	1043	0.65	
2286	647	0.33	733	0.4	811	0.47	886	0.55	958	0.63	1027	0.72	
2400	653	0.35	737	0.43	814	0.5	887	0.58	957	0.67	1025	0.75	
2500	659	0.38	741	0.46	817	0.54	889	0.62	957	0.7	1023	0.79	

MODEL : 3RTH090GC1													
ESP(inch of WG)	0.2		0.4		0.6		0.8		1.0		1.2		
Airflow(cfm)	RPM	KW	RPM	KW	RPM	KW	RPM	KW	RPM	KW	RPM	KW	
2000	524	0.23											
2200	522	0.25	607	0.34									
2400	523	0.28	604	0.37	681	0.47							
2600	525	0.31	603	0.4	676	0.5	743	0.61					
2857	530	0.35	605	0.45	674	0.55	740	0.66	805	0.78			
3000	533	0.38	607	0.48	674	0.58	739	0.69	801	0.81	858	0.94	
3200	538	0.42	610	0.52	676	0.63	738	0.74	798	0.86	857	0.99	

MODEL : 3RTH120GC1														
ESP(inch of WG)	0.2		0.4		0.6		0.8		1.0		1.2		1.6	
Airflow(cfm)	RPM	KW	RPM	KW	RPM	KW	RPM	KW	RPM	KW	RPM	KW	RPM	KW
2600	525	0.31	603	0.4	676	0.5	743	0.61						
2700	527	0.33	603	0.42	675	0.52	743	0.63						
2800	529	0.34	604	0.44	674	0.54	741	0.65						
3000	533	0.38	607	0.48	674	0.58	739	0.69	801	0.81	858	0.94		
3200	538	0.42	610	0.52	676	0.63	738	0.74	798	0.86	857	0.99		
3400	544	0.47	614	0.57	679	0.68	740	0.79	798	0.91	854	1.04	913	1.17
3600	551	0.52	619	0.62	682	0.73	742	0.85	798	0.97	853	1.1	909	1.23
3810	558	0.57	625	0.68	687	0.8	745	0.92	800	1.05	853	1.18	908	1.31
4000	565	0.63	631	0.74	692	0.86	749	0.99	803	1.11	855	1.25	908	1.38
4200	572	0.69	637	0.81	697	0.93	753	1.06	806	1.19	857	1.33	909	1.47

Notes:
 -Data includes losses for filters , Unit casing & Wet coil
 -Shaded region indicates avlternate drive requirement
 -Bold point in RPM Indicate Blower Speed with Factory setting

Fan Performance Data

12.5 TR / 15 TR / 18 TR / 20 TR / 25 TR

3 TO 25 TONS / R407C - 50 HZ

MODEL : 3RTH150GC2																
ESP(inch of WG)	0.2		0.4		0.6		0.8		1.0		1.2		1.4		1.6	
Airflow(cfm)	RPM	KW	RPM	KW	RPM	KW	RPM	KW	RPM	KW	RPM	KW	RPM	KW	RPM	KW
3400	544	0.47	614	0.57	679	0.68	740	0.79	798	0.91	854	1.04	908	1.18	962	1.33
3600	551	0.52	619	0.62	682	0.73	742	0.85	798	0.97	853	1.1	906	1.24	957	1.39
3800	557	0.57	625	0.68	687	0.8	745	0.92	800	1.04	853	1.17	904	1.31	954	1.46
4000	565	0.63	631	0.74	692	0.86	749	0.99	803	1.11	855	1.25	905	1.39	953	1.53
4200	572	0.69	637	0.81	697	0.93	753	1.06	806	1.19	857	1.33	906	1.47	954	1.62
4400	581	0.76	644	0.88	703	1.01	758	1.14	810	1.28	860	1.42	908	1.56	955	1.71
4600	590	0.84	651	0.96	709	1.09	764	1.23	815	1.37	864	1.51	911	1.66	957	1.81
4762	597	0.9	658	1.03	715	1.16	768	1.3	819	1.44	868	1.59	914	1.74	959	1.89
5000	608	1	667	1.14	723	1.27	776	1.42	826	1.56	873	1.71	919	1.87	963	2.02
5200	619	1.09	676	1.23	730	1.37	782	1.52	832	1.67	879	1.82	924	1.98	967	2.14

MODEL : 3RTH180GC2																
ESP(inch of WG)	0.2		0.4		0.6		0.8		1.0		1.2		1.4		1.6	
Airflow(cfm)	RPM	KW	RPM	KW	RPM	KW	RPM	KW	RPM	KW	RPM	KW	RPM	KW	RPM	KW
4000	565	0.63	631	0.74	692	0.86	749	0.99	803	1.11	855	1.25	905	1.39	953	1.53
4200	572	0.69	637	0.81	697	0.93	753	1.06	806	1.19	857	1.33	906	1.47	954	1.62
4400	581	0.76	644	0.88	703	1.01	758	1.14	810	1.28	860	1.42	908	1.56	955	1.71
4600	590	0.84	651	0.96	709	1.09	764	1.23	815	1.37	864	1.51	911	1.66	957	1.81
4800	599	0.92	659	1.05	716	1.18	769	1.32	820	1.46	869	1.61	915	1.76	960	1.91
5000	608	1	667	1.14	723	1.27	776	1.42	826	1.56	873	1.71	919	1.87	963	2.02
5200	619	1.09	676	1.23	730	1.37	782	1.52	832	1.67	879	1.82	924	1.98	967	2.14
5400	629	1.19	685	1.33	738	1.48	789	1.63	838	1.79	884	1.94	929	2.1	972	2.27
5715	647	1.36	700	1.51	751	1.66	801	1.82	848	1.98	894	2.14	938	2.31	980	2.48
5800	651	1.41	704	1.56	755	1.71	804	1.87	851	2.03	896	2.2	940	2.37	982	2.54
6000	663	1.52	714	1.68	764	1.84	812	2	858	2.17	903	2.34	946	2.51	988	2.69
6200	675	1.65	725	1.81	773	1.97	820	2.14	866	2.31	910	2.48	952	2.66	993	2.84

MODEL : 3RTH216GC2																
ESP(inch of WG)	0.2		0.4		0.6		0.8		1.0		1.2		1.4		1.6	
Airflow(cfm)	RPM	KW	RPM	KW	RPM	KW	RPM	KW	RPM	KW	RPM	KW	RPM	KW	RPM	KW
4800	549	0.6	634	0.79	715	1.01	793	1.26	871	1.55	949	1.88				
4900	550	0.62	633	0.81	713	1.02	790	1.27	867	1.55	943	1.88				
5000	550	0.63	633	0.82	712	1.04	788	1.28	863	1.56	938	1.88				
5200	552	0.67	633	0.86	710	1.07	784	1.32	856	1.59	928	1.89	1000	2.24		
5400	553	0.7	633	0.9	709	1.11	781	1.35	851	1.62	920	1.92	990	2.25	1059	2.63
5600	555	0.74	634	0.94	708	1.15	778	1.39	847	1.65	914	1.95	981	2.27	1048	2.63
5800	558	0.78	635	0.98	708	1.2	776	1.45	844	1.7	909	1.98	974	2.3	1038	2.64
6000	560	0.82	637	1.02	708	1.24	776	1.48	841	1.74	905	2.02	968	2.33	1030	2.67
6200	563	0.86	639	1.07	709	1.29	775	1.53	839	1.79	902	2.07	963	2.38	1024	2.71
6400	565	0.91	641	1.12	710	1.35	775	1.59	838	1.85	899	2.12	959	2.43	1018	2.75
6600	568	0.96	643	1.17	711	1.4	776	1.64	838	1.9	898	2.18	956	2.48	1014	2.8
6858	572	1.02	646	1.24	713	1.47	777	1.72	838	1.98	896	2.26	953	2.56	1009	2.87
7000	575	1.06	648	1.28	715	1.52	778	1.77	838	2.03	896	2.31	952	2.6	1007	2.92
7200	578	1.11	650	1.34	717	1.58	779	1.83	838	2.1	895	2.38	951	2.67	1005	2.98
7400	582	1.17	653	1.4	719	1.64	780	1.9	839	2.17	895	2.45	950	2.74	1003	3.06
7500	583	1.2	654	1.43	720	1.68	781	1.93	840	2.2	896	2.48	950	2.78	1003	3.09
7620	586	1.23	656	1.47	721	1.72	782	1.98	840	2.25	896	2.53	950	2.83	1002	3.14
7800	589	1.29	659	1.53	724	1.78	784	2.04	841	2.32	896	2.6	950	2.9	1001	3.21
8000	593	1.35	662	1.6	726	1.85	786	2.12	843	2.4	897	2.68	950	2.98	1001	3.3
8200	597	1.42	666	1.67	729	1.93	788	2.2	845	2.48	899	2.77	951	3.07	1001	3.39
8400	601	1.49	669	1.74	732	2.01	791	2.28	847	2.56	900	2.86	951	3.16	1001	3.48

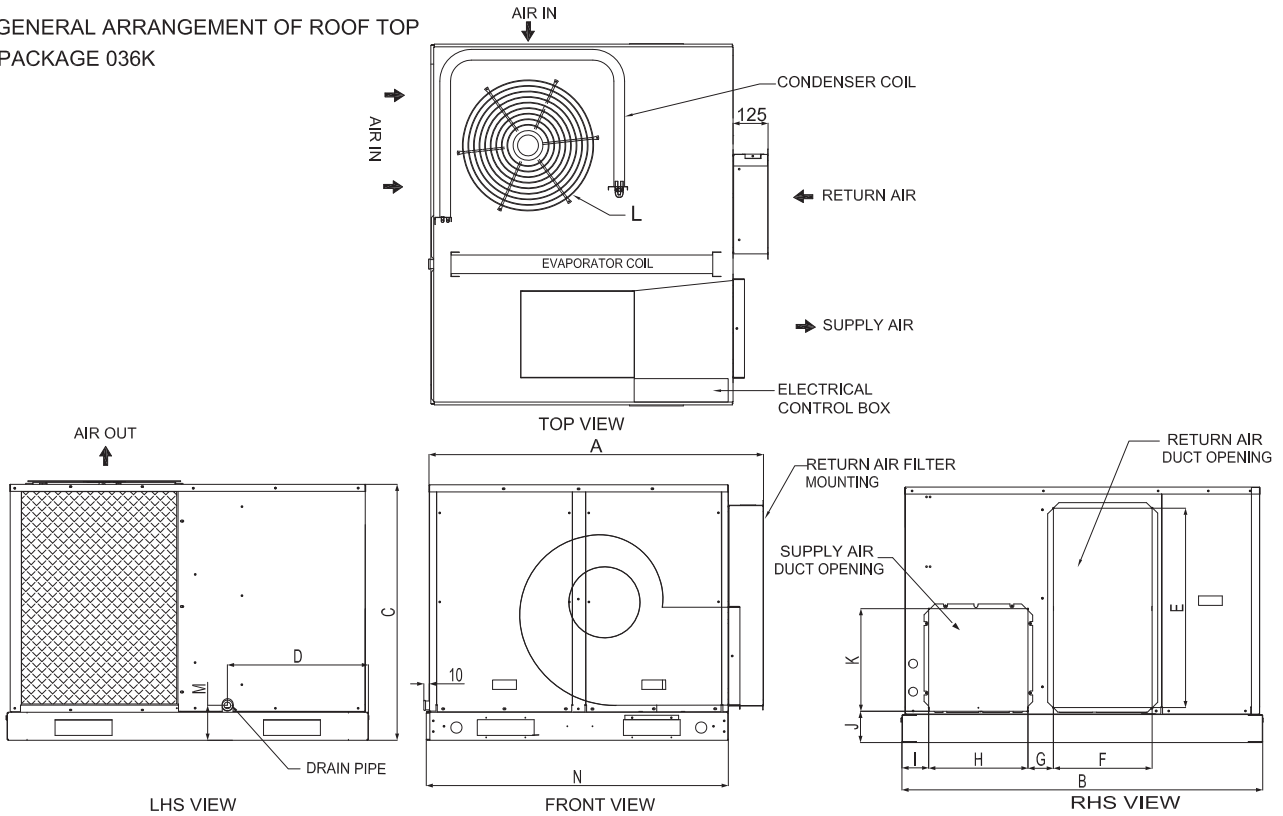
MODEL : 3RTH240GC2																
ESP(inch of WG)	0.2		0.4		0.6		0.8		1.0		1.2		1.4		1.6	
Airflow(cfm)	RPM	KW	RPM	KW	RPM	KW	RPM	KW	RPM	KW	RPM	KW	RPM	KW	RPM	KW
5400	553	0.7	633	0.9	709	1.11	781	1.35	851	1.62	920	1.92	990	2.25	1059	2.63
5600	555	0.74	634	0.94	708	1.15	778	1.39	847	1.65	914	1.95	981	2.27	1048	2.63
5800	558	0.78	635	0.98	708	1.2	777	1.44	844	1.7	909	1.98	974	2.3	1038	2.64
6000	560	0.82	637	1.02	708	1.24	776	1.48	841	1.74	905	2.02	968	2.33	1030	2.67
6200	563	0.86	639	1.07	709	1.29	775	1.53	839	1.79	902	2.07	963	2.38	1024	2.71
6400	565	0.91	641	1.12	710	1.35	775	1.59	838	1.85	899	2.12	959	2.43	1018	2.75
6600	568	0.96	643	1.17	711	1.4	776	1.64	838	1.9	898	2.18	956	2.48	1014	2.8
6800	571	1.01	645	1.23	713	1.46	777	1.7	838	1.96	896	2.24	954	2.54	1010	2.86
7000	575	1.06	648	1.28	715	1.52	778	1.77	838	2.03	896	2.31	952	2.6	1007	2.92
7200	578	1.11	650	1.34	717	1.58	779	1.83	838	2.1	895	2.38	951	2.67	1005	2.98
7400	582	1.17	653	1.4	719	1.64	780	1.9	839	2.17	895	2.45	950	2.74	1003	3.06
7500	583	1.2	654	1.43	720	1.68	781	1.93	840	2.2	896	2.48	950	2.78	1003	3.09
7620	586	1.23	656	1.47	721	1.72	782	1.98	840	2.25	896	2.53	950	2.83	1002	3.14
7800	589	1.29	659	1.53	724	1.78	784	2.04	841	2.32	896	2.6	950	2.9	1001	3.21
8000	593	1.35	662	1.6	726	1.85	786	2.12	843	2.4	897	2.68	950	2.98	1001	3.3
8200	597	1.42	666	1.67	729	1.93	788	2.2	845	2.48	899	2.77	951	3.07	1001	3.39
8400	601	1.49	669	1.74	732	2.01	791	2.28	847	2.56	900	2.86	951	3.16	1001	3.48

MODEL : 3RTH300GC2																
ESP(inch of WG)	0.2		0.4		0.6		0.8		1.0		1.2		1.4		1.6	
Airflow(cfm)	RPM	KW	RPM	KW	RPM	KW	RPM	KW	RPM	KW	RPM	KW	RPM	KW	RPM	KW
6600	568	0.96	643	1.17	711	1.4	776	1.64	838	1.9	898	2.18	956	2.48	1014	2.8
6800	571	1.01	645	1.23	713	1.46	777	1.7	838	1.96	896	2.24	954	2.54	1010	2.86
7000	575	1.06	648	1.28	715	1.52	778	1.77	838	2.03	896	2.31	952	2.6	1007	2.92
7200	578	1.11	650	1.34	717	1.58	779	1.83	838	2.1	895	2.38	951	2.67	1005	2.98
7400	582	1.17	653	1.4	719	1.64	780	1.9	839	2.17	895	2.45	950	2.74	1003	3.06
7600	585	1.23	656	1.46	721	1.71	782	1.97	840	2.24	896	2.52	950	2.82	1002	3.13
7800	589	1.29	659	1.53	724	1.78	784	2.04	841	2.32	896	2.6	950	2.9	1001	3.21
8000	593	1.35	662	1.6	726	1.85	786	2.12	843	2.4	897	2.68	950	2.98	1001	3.3
8200	597	1.42	666	1.67	729	1.93	788	2.2	845	2.48	899	2.77	951	3.07	1001	3.39
8400	601	1.49	669	1.74	732	2.01	791	2.28	847	2.56	900	2.86	951	3.16	1001	3.48
8600	605	1.56	673	1.82	735	2.09	793	2.37	849	2.65	902	2.95	953	3.26	1002	3.58
8																

Dimensional Data

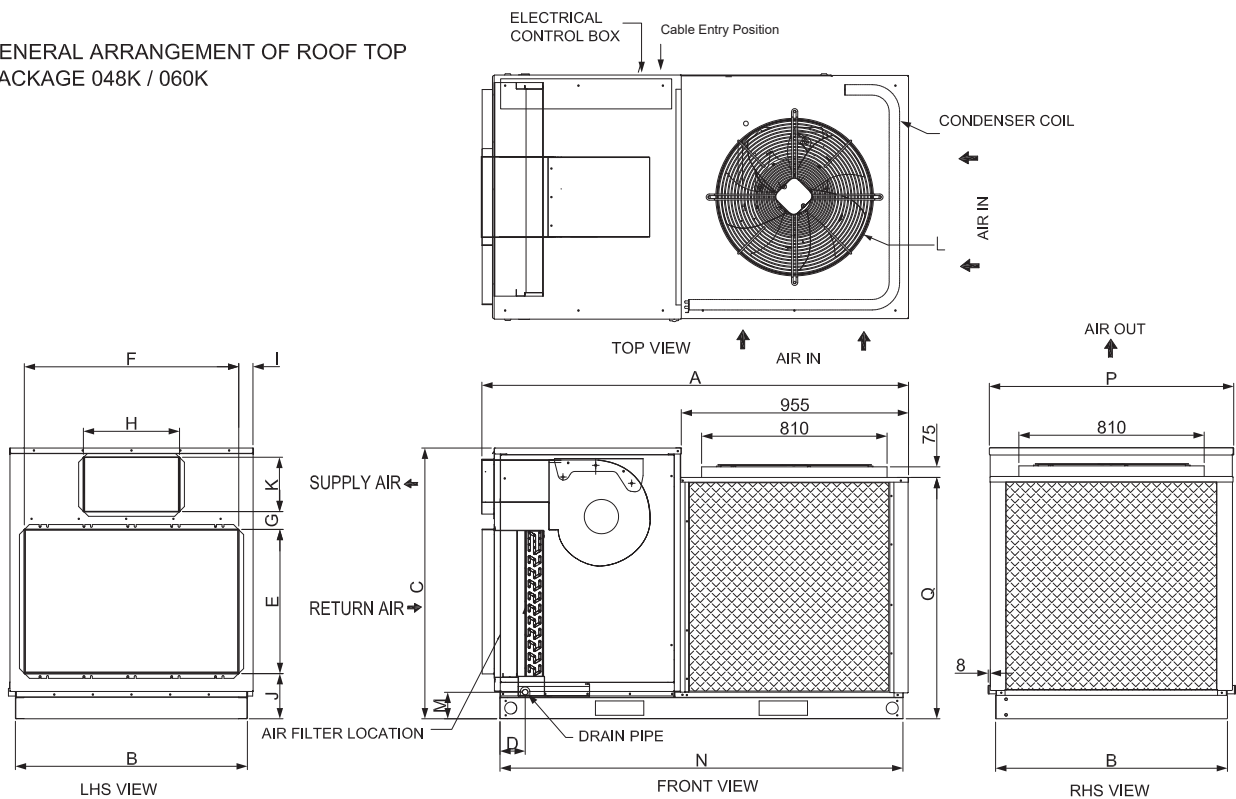
3 TR / 4 TR / 5 TR

GENERAL ARRANGEMENT OF ROOF TOP PACKAGE 036K



MODEL	A	B	C	D	E	F	G	H	I	J	K	L	M	N
3RTH036G	1195	1290	913	503	715	350	96	350	98	127	350	1 FAN-20" DIA	130	1080

GENERAL ARRANGEMENT OF ROOF TOP PACKAGE 048K / 060K



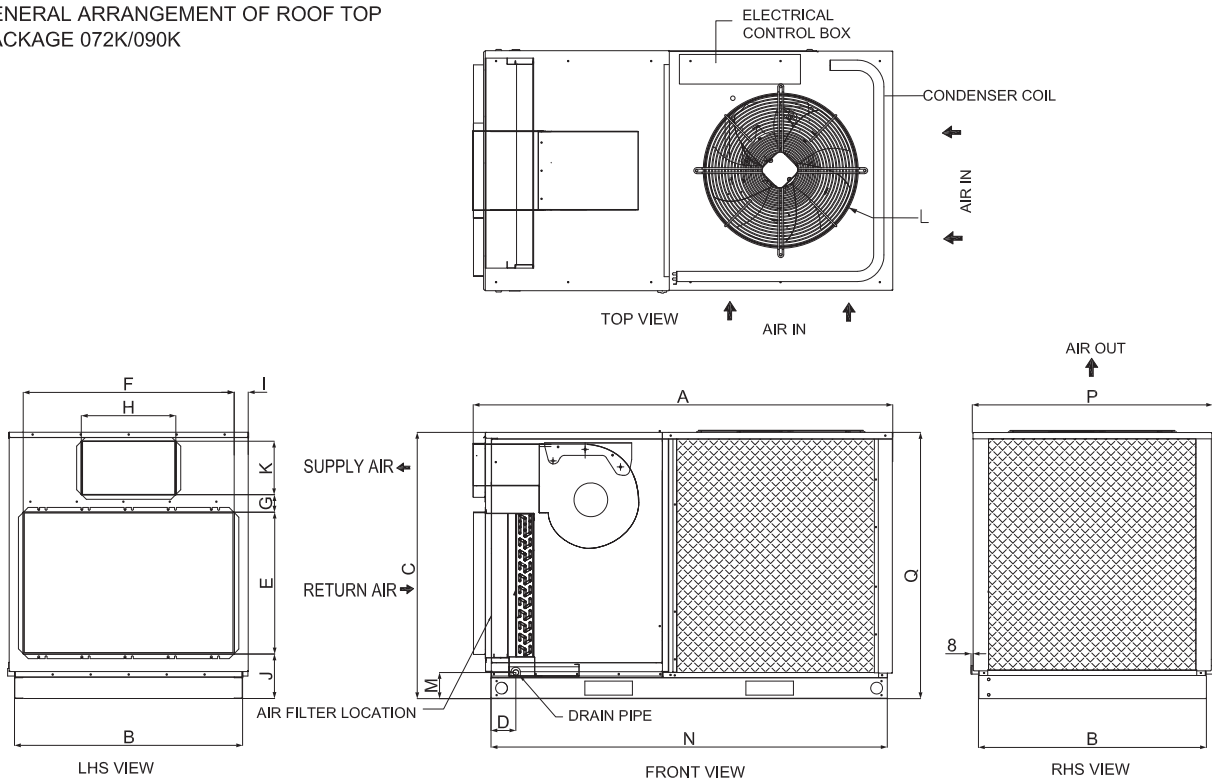
MODEL	A	B	C	D	E	F	G	H	I	J	K	L	M	N	P	Q
3RTH048G	1790	978	1049	107	562	900	120	345	62	136	185	1 FAN-24" DIA	94	1690	1024	855
3RTH060G	1790	978	1049	107	606	900	120	403	62	136	230	1 FAN-26" DIA	94	1690	1024	855

ALL DIMENSIONS ARE IN MM
LAYOUT SUBJECT TO CHANGE WITHOUT NOTICE.

Dimensional Data

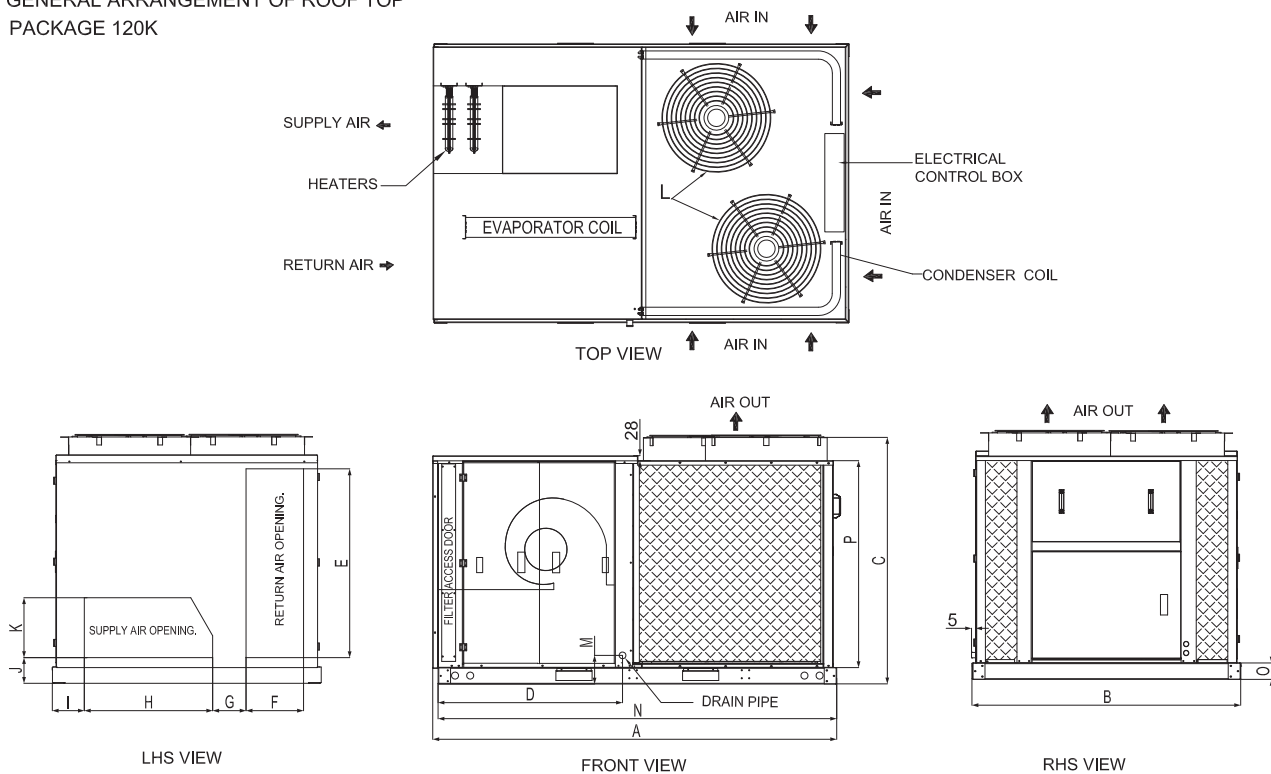
6 TR / 7.5 TR / 10 TR

GENERAL ARRANGEMENT OF ROOF TOP PACKAGE 072K/090K



MODEL	A	B	C	D	E	F	G	H	I	J	K	L	M	N	P	Q
3RTH072G	1790	978	1161	114	606	900	88	403	62	186	230	1 FAN-26" DIA	112	1690	1024	1161
3RTH090G	2028							476						1934		

GENERAL ARRANGEMENT OF ROOF TOP PACKAGE 120K



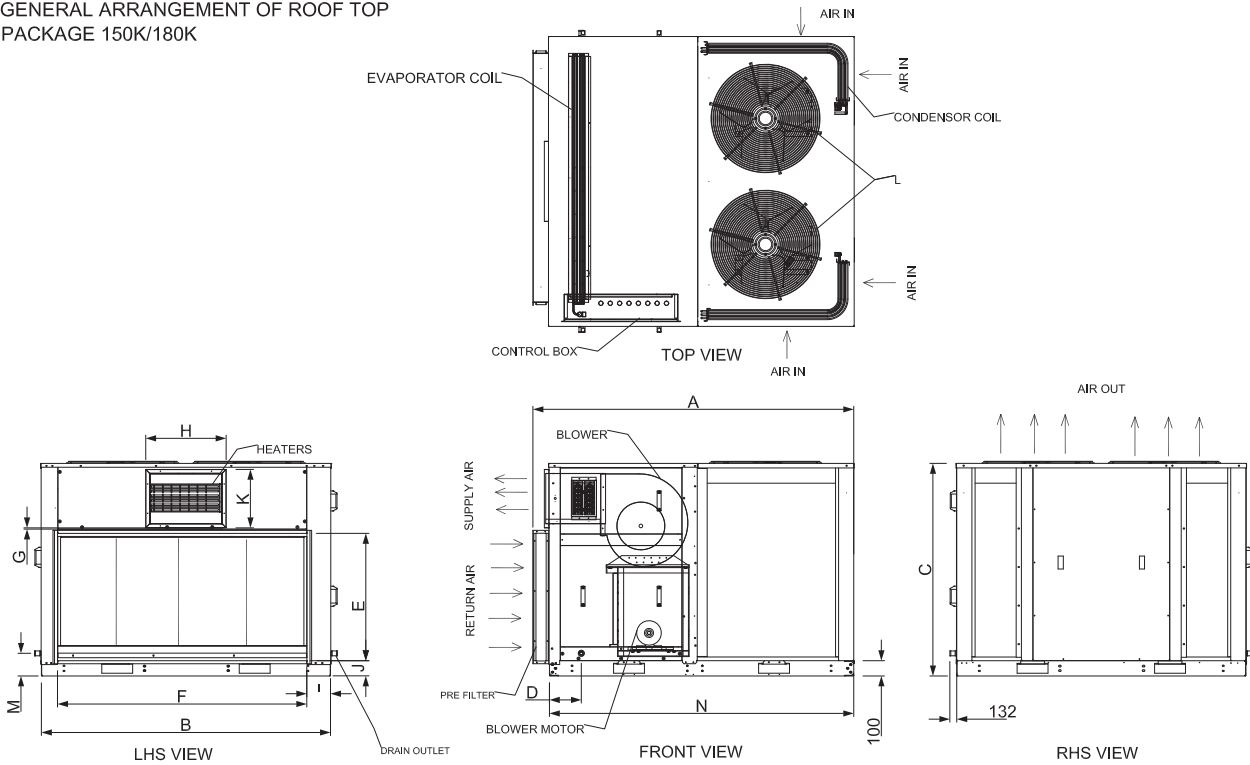
MODEL	A	B	C	D	E	F	G	H	I	J	K	L	M	N	O	P
3RTH120G	2265	1505	1383	1035	1058	322	187	720	173	144	336	2 FANS - 25" DIA	161	2235	92	1252

ALL DIMENSIONS ARE IN MM
LAYOUT SUBJECT TO CHANGE WITHOUT NOTICE.

Dimensional Data

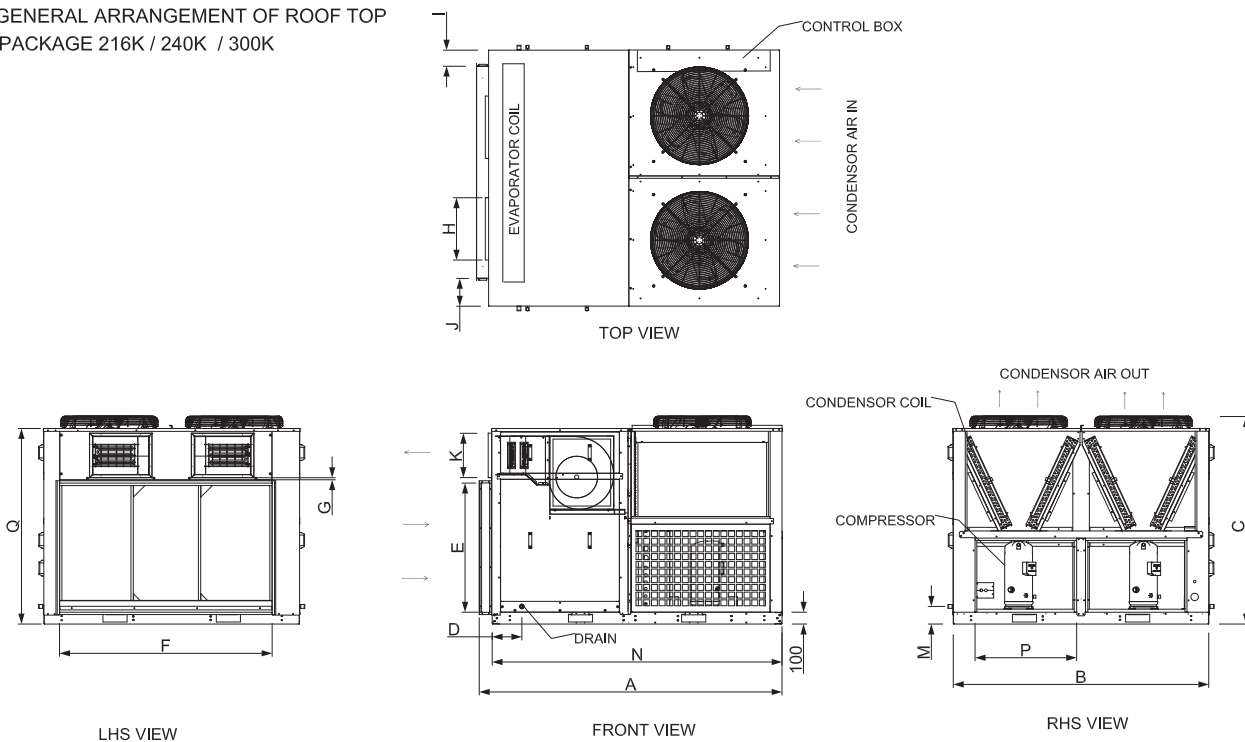
12.5 TR / 15 TR / 18 TR / 20 TR / 25 TR

GENERAL ARRANGEMENT OF ROOF TOP PACKAGE 150K/180K



MODEL	A	B	C	D	E	F	G	H	I	J	K	L	M	N
3RTH150G	2126	1900	1400	200	828	1638	28	531	155	100	385	2 FAN-26" DIA	149	2000
3RTH180G														

GENERAL ARRANGEMENT OF ROOF TOP PACKAGE 216K / 240K / 300K



MODEL	A	B	C	D	E	F	G	H	I	J	K	L	M	N	P	Q
3RTH216G	2550	2150	1755	250	1089	1789	27	525	132	230	374	2 FAN-30" DIA	149	2440	854	1650
3RTH240G																
3RTH300G																

ALL DIMENSIONS ARE IN MM
LAYOUT SUBJECT TO CHANGE WITHOUT NOTICE.

Wiring Diagrams

5TR & 6 TR UNITS

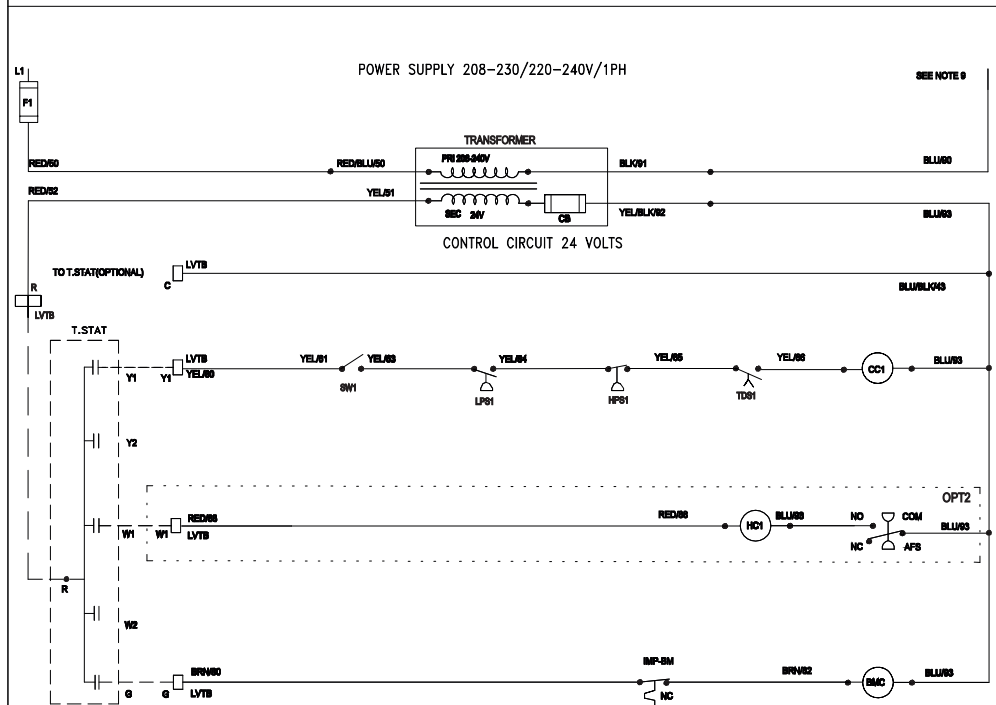
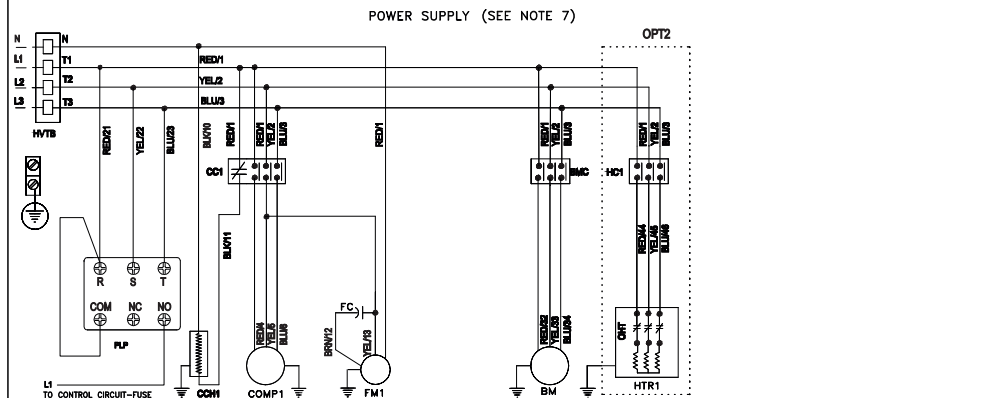
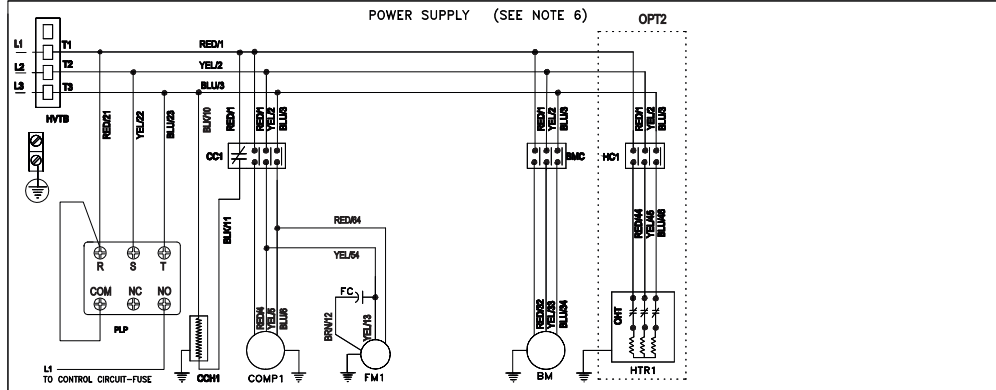
POWER SUPPLY

THIS WIRING DIAGRAM SUITS
 208-230 VOLTS / 3 PH / 60 HZ
 380-415 V / 3 PH / 50 HZ WITH NEUTRAL
 380-400 V / 3 PH / 60 HZ WITH NEUTRAL
 480 VOLTS / 3 PH / 60 HZ WITH NEUTRAL
 PL. REFER UNIT NAME PLATE FOR YOUR UNIT'S
 POWER SUPPLY

WIRING DIAGRAM FOR PACKAGE UNITS

WARNING

THIS UNIT IS BUILT AND WIRED ACCORDING TO COMPANY STANDARDS AND / OR JOB ORDER'S SPECIFICATIONS. ANY UNAUTHORISED CHANGE OR MODIFICATION OR SETTING OF ROOM THERMOSTAT TEMPERATURE BELOW 60°F WILL MAKE WARRANTY NULL & VOID.



LEGEND

- AFS - AIR FLOW SWITCH
- BLK - BLACK
- BLU - BLUE
- BM - BLOWER MOTOR
- BMC - BLOWER MOTOR CONTACTOR
- BRN - BROWN
- CC - COMP CONTACTOR
- CCH - CRANK CASE HEATER
- CB - CIRCUIT BREAKER
- COMP - COMPRESSOR
- F - FUSE
- FC - FAN CAPACITOR
- FM - FAN MOTOR
- FMC - FAN MOTOR CONTACTOR
- FMR - FAN MOTOR RELAY
- HC - HEATER CONTACTOR
- HPS - HIGH PRESSURE SWITCH
- HTR - HEATER
- HVTB - HIGH VOLTAGE TERMINAL BLOCK
- L - LINE
- LPS - LOW PRESSURE SWITCH
- LVTB - LOW VOLTAGE TERMINAL BLOCK
- N - NEUTRAL
- NC - NORMALLY CLOSED
- NO - NORMALLY OPEN
- OHT - OVER HEAT THERMOSTAT
- OPT - OPTIONAL
- PLP - PHASE LOSS PROTECTION
- PRI - PRIMARY
- RED - RED
- SEC - SECONDARY
- SW - SWITCH ON / OFF
- TDS - TIME DELAY SWITCH
- TRANS - TRANSFORMER
- T.STAT - THERMOSTAT
- UVM - UNDER VOLTAGE MONITOR
- YEL - YELLOW
- - - - FIELD WIRING
- - TERMINAL / SPLICE
- - OPTIONAL MARKING
- ⊕ - EARTHING

NOTES

- 1) ANY WIRE REPLACEMENT SHOULD BE OF 80°C TYPE OR EQUIVALENT AND COPPER CONDUCTOR ONLY.
- 2) POWER MUST BE SUPPLIED TO CRANK CASE HEATER FOR A MINIMUM OF 12 HOURS PRIOR TO START UP. IF THE POWER SUPPLY HAS BEEN INTERRUPTED FOR LONGER PERIOD THEN AGAIN CRANK CASE HEATER MUST BE ENERGIZED FOR MINIMUM OF 12 HOURS BEFORE STARTING OF COMPRESSOR.
- 3) FUSED DISCONNECT SWITCH OR CIRCUIT BREAKER TO BE PROVIDED BY THE USER WITH RELEVANT RATING.
- 4) PLEASE ALLOW 2 TO 3 MINUTES BEFORE STARTING OF COMPRESSOR.
- 5) COMPRESSOR IS PROVIDED WITH INTERNAL OVERLOAD PROTECTION.
- 6) POWER CIRCUIT FOR 208-230 V/3PH/60HZ
- 7) POWER CIRCUIT FOR 380-415 V/3PH 50HZ, 380-400 V/3PH/60Hz & 480 V/3PH/60HZ WITH NEUTRAL
- 8) REFER INSTRUCTIONS WITH THE COMPONENTS FOR STAR / DELTA CONNECTIONS
- 9) IF THE POWER SUPPLY IS 230V, CONNECT TO L1 IF THE POWER SUPPLY IS 380V, CONNECT TO N

OPTIONS

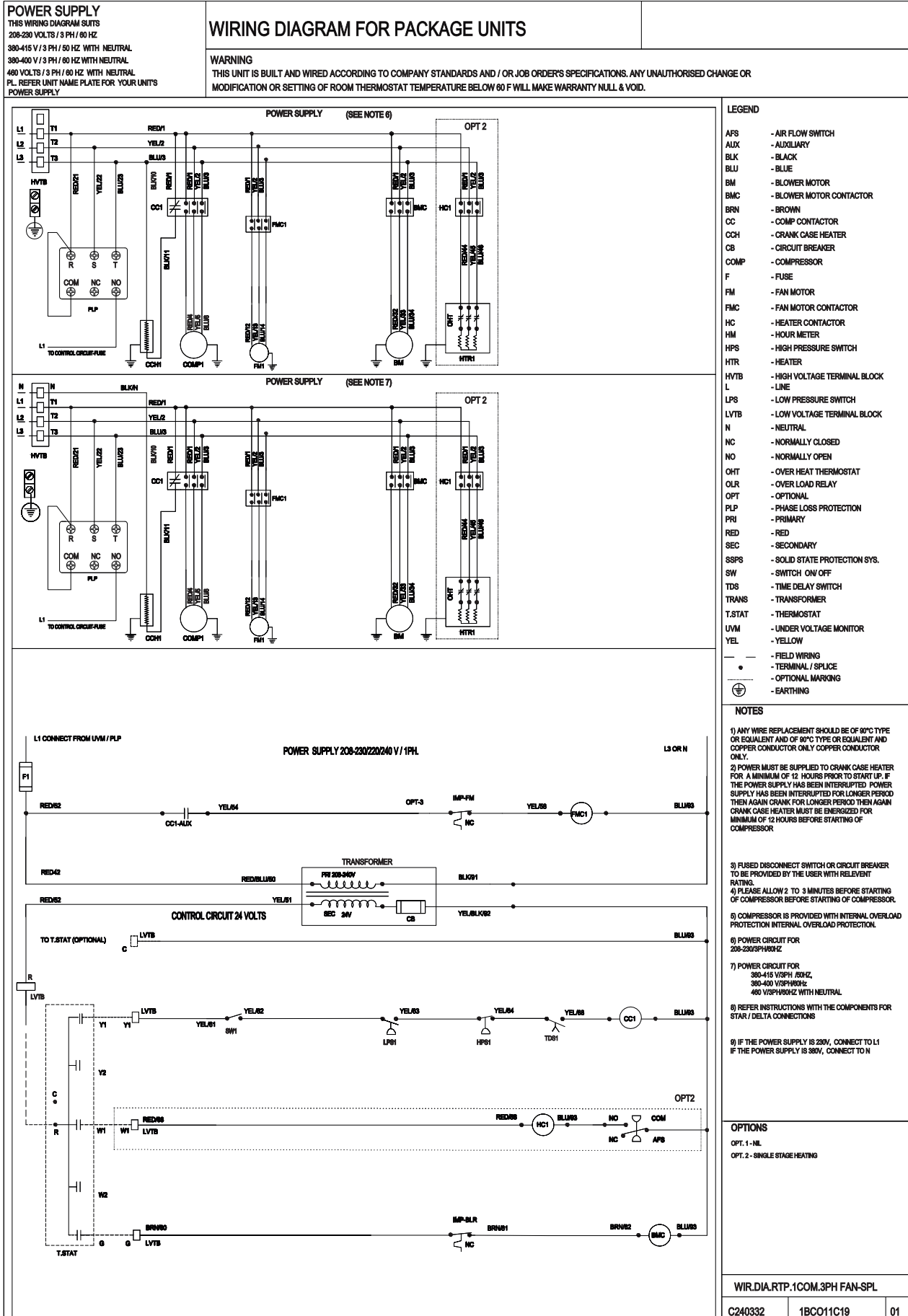
- OPT. 1 - NIL
- OPT. 2 - SINGLE STAGE HEATING

WIR. DIA-RTP-1COMP-SPL

C240328 | 1BC011C15 | 01

Wiring Diagrams

7.5TR UNITS



Wiring Diagrams

10 TR, 12.5 TR & 15 TR UNITS

POWER SUPPLY
THIS WIRING DIAGRAM SUITS
208-230 VOLTS / 3 PH / 60 HZ
380-415 V / 3 PH / 50 HZ WITH NEUTRAL
380-400 V / 3 PH / 60 HZ WITH NEUTRAL
480 VOLTS / 3 PH / 60 HZ WITH NEUTRAL PL. REFER UNIT NAME
PLATE FOR YOUR UNITS' POWER SUPPLY

WARNING
THIS UNIT IS BUILT AND WIRED ACCORDING TO COMPANY STANDARDS AND / OR JOB ORDER'S SPECIFICATIONS. ANY UNAUTHORISED CHANGE OR
MODIFICATION OR SETTING OF ROOM THERMOSTAT TEMPERATURE BELOW 60 F WILL MAKE WARRANTY NULL & VOID.

WIRING DIAGRAM FOR PACKAGE UNITS

LEGEND

- AFS - AIR FLOW SWITCH
- BLK - BLACK
- BLU - BLUE
- BM - BLOWER MOTOR
- BMC - BLOWER MOTOR CONTACTOR
- BRN - BROWN
- CC - COMP CONTACTOR
- CCH - CRANK CASE HEATER
- CB - CIRCUIT BREAKER
- COMP - COMPRESSOR
- F - FUSE
- FC - FAN CAPACITOR
- FM - FAN MOTOR
- FMC - FAN MOTOR CONTACTOR
- FMR - FAN MOTOR RELAY
- HC - HEATER CONTACTOR
- HPS - HIGH PRESSURE SWITCH
- HTR - HEATER
- HVTB - HIGH VOLTAGE TERMINAL BLOCK
- L - LINE
- LPS - LOW PRESSURE SWITCH
- LVTB - LOW VOLTAGE TERMINAL BLOCK
- N - NEUTRAL
- NC - NORMALLY CLOSED
- NO - NORMALLY OPEN
- OHT - OVER HEAT THERMOSTAT
- OPT - OPTIONAL
- PLP - PHASE LOSS PROTECTION
- PRI - PRIMARY
- RED - RED
- SEC - SECONDARY
- SW - SWITCH ON / OFF
- TDS - TIME DELAY SWITCH
- TRANS - TRANSFORMER
- T.STAT - THERMOSTAT
- UVM - UNDER VOLTAGE MONITOR
- YEL - YELLOW
- - - - - FIELD WIRING
- - TERMINAL / SPLICE
- ⊕ - OPTIONAL MARKING
- ⊕ - EARTHING

NOTES

- 1) ANY WIRE REPLACEMENT SHOULD BE OF 90°C TYPE OR EQUIVALENT AND OF 90°C TYPE OR EQUIVALENT AND COPPER CONDUCTOR ONLY. COPPER CONDUCTOR ONLY.
- 2) POWER MUST BE SUPPLIED TO CRANK CASE HEATER FOR A MINIMUM OF 12 HOURS PRIOR TO START UP. IF THE POWER SUPPLY HAS BEEN INTERRUPTED FOR LONGER PERIOD THEN AGAIN CRANK CASE HEATER MUST BE ENERGIZED FOR MINIMUM OF 12 HOURS BEFORE STARTING OF COMPRESSOR.
- 3) FUSED DISCONNECT SWITCH OR CIRCUIT BREAKER TO BE PROVIDED BY THE USER WITH RELEVANT RATING.
- 4) PLEASE ALLOW 2 TO 3 MINUTES BEFORE STARTING OF COMPRESSOR BEFORE STARTING OF COMPRESSOR.
- 5) COMPRESSOR IS PROVIDED WITH INTERNAL OVERLOAD PROTECTION INTERNAL OVERLOAD PROTECTION.
- 6) POWER CIRCUIT FOR 208-230 V/3PH/60HZ.
- 7) POWER CIRCUIT FOR 380-415 V/3PH 50HZ, 380-400 V/3PH/60HZ WITH NEUTRAL, 480 V/3PH/60HZ WITH NEUTRAL.
- 8) REFER INSTRUCTIONS WITH THE COMPONENTS FOR STAR / DELTA CONNECTIONS MENTS FOR STAR / DELTA CONNECTIONS
- 9) IF THE POWER SUPPLY IS 230V, CONNECT TO L1 IF THE POWER SUPPLY IS 380V, CONNECT TO N

OPTIONS
OPT. 1 - NIL
OPT. 2 - SINGLE STAGE HEATING
OPT. 3 - TWO STAGE HEATING

WIR. DIA-RTP-2 COMP-SPL

C240331	1BC011C18	01
---------	-----------	----

Wiring Diagrams

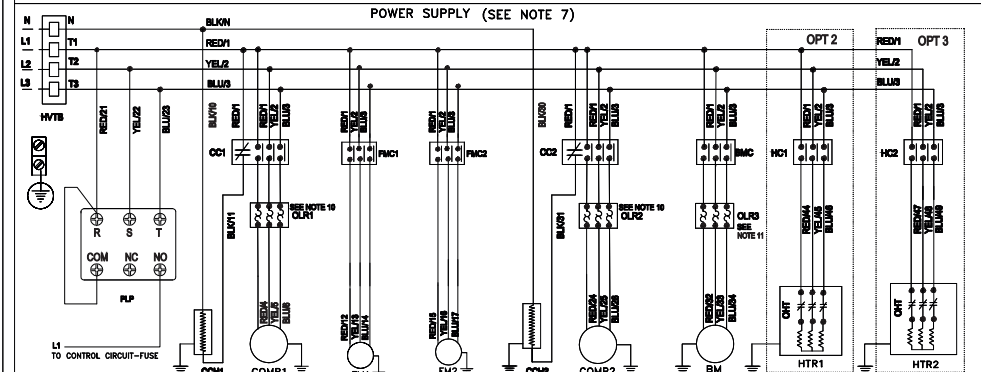
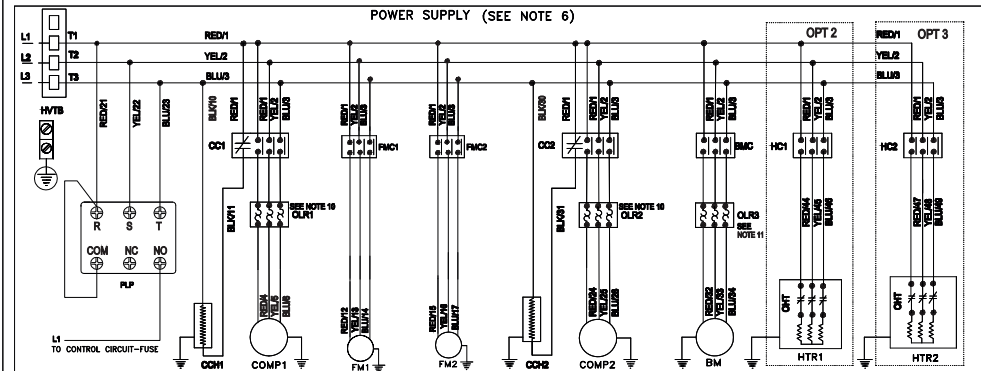
18TR & 20, 25 TR UNITS

POWER SUPPLY
THIS WIRING DIAGRAM SUITS
208-230 VOLTS / 3 PH / 60 HZ
380-415 V / 3 PH / 50 HZ WITH NEUTRAL
380-400 V / 3 PH / 60 HZ WITH NEUTRAL
460 VOLTS / 3 PH / 60 HZ WITH NEUTRAL
PL REFER UNIT NAME PLATE FOR YOUR UNIT'S
POWER SUPPLY

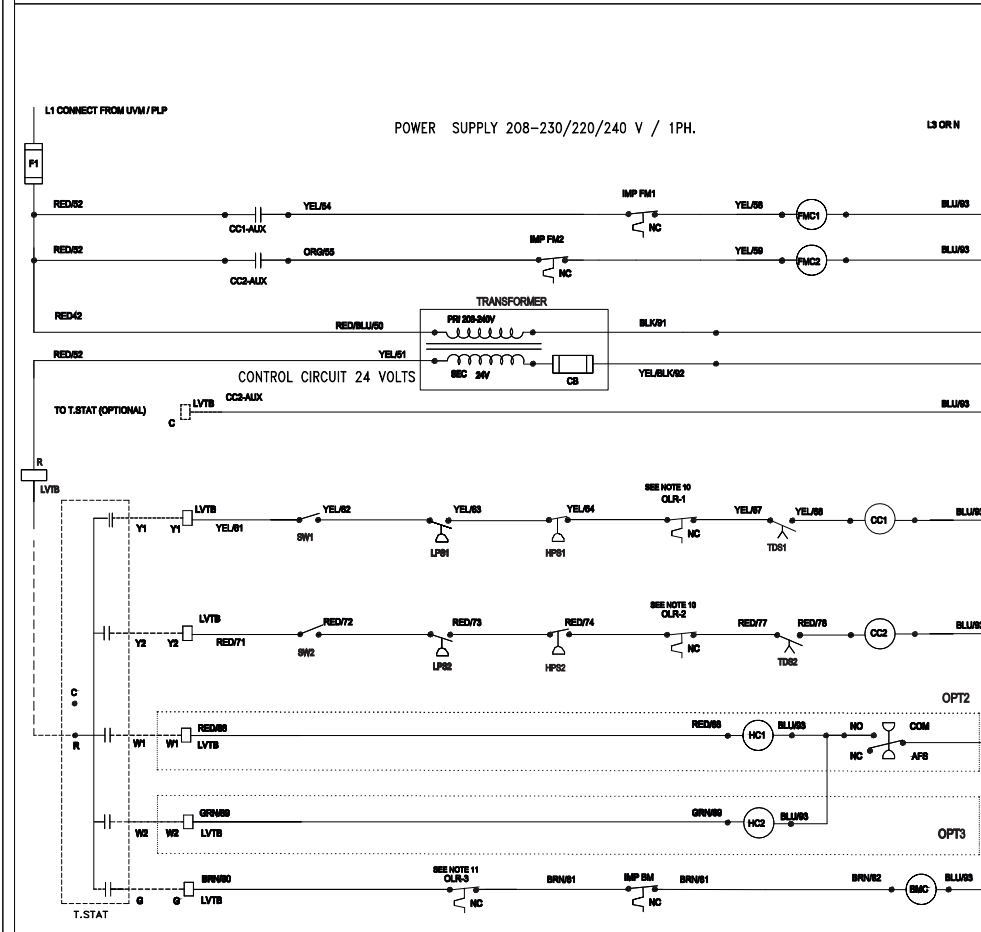
WIRING DIAGRAM FOR PACKAGE UNITS

WARNING

THIS UNIT IS BUILT AND WIRED ACCORDING TO COMPANY STANDARDS AND / OR JOB ORDER'S SPECIFICATIONS. ANY UNAUTHORISED CHANGE OR MODIFICATION OR SETTING OF ROOM THERMOSTAT TEMPERATURE BELOW 60°F WILL MAKE WARRANTY NULL & VOID.



- LEGEND**
- AFS - AIR FLOW SWITCH
 - AUX - AUXILIARY
 - BLK - BLACK
 - BLU - BLUE
 - BM - BLOWER MOTOR
 - BMC - BLOWER MOTOR CONTACTOR
 - BRN - BROWN
 - CC - COMP CONTACTOR
 - CCH - CRANK CASE HEATER
 - CB - CIRCUIT BREAKER
 - COMP - COMPRESSOR
 - F - FUSE
 - FM - FAN MOTOR
 - FMC - FAN MOTOR CONTACTOR
 - HC - HEATER CONTACTOR
 - HM - HOUR METER
 - HPS - HIGH PRESSURE SWITCH
 - HTR - HEATER
 - HVTB - HIGH VOLTAGE TERMINAL BLOCK
 - L - LINE
 - LPS - LOW PRESSURE SWITCH
 - LVTB - LOW VOLTAGE TERMINAL BLOCK
 - N - NEUTRAL
 - NC - NORMALLY CLOSED
 - NO - NORMALLY OPEN
 - OHT - OVER HEAT THERMOSTAT
 - OLR - OVER LOAD RELAY
 - OPT - OPTIONAL
 - PLP - PHASE LOSS PROTECTION
 - PRI - PRIMARY
 - RED - RED
 - SEC - SECONDARY
 - SSPS - SOLID STATE PROTECTION SYS.
 - SW - SWITCH ON/OFF
 - TDS - TIME DELAY SWITCH
 - TRANS - TRANSFORMER
 - T.STAT - THERMOSTAT
 - UVM - UNDER VOLTAGE MONITOR
 - YEL - YELLOW
- FIELD WIRING
• TERMINAL / SPICE
- OPTIONAL MARKING
⊕ - EARTHING



- NOTES**
- 1) ANY WIRE REPLACEMENT SHOULD BE OF 90°C TYPE OR EQUIVALENT AND OF 90°C TYPE OR EQUIVALENT AND COPPER CONDUCTOR ONLY. COPPER CONDUCTOR ONLY.
 - 2) POWER MUST BE SUPPLIED TO CRANK CASE HEATER FOR A MINIMUM OF 12 HOURS PRIOR TO START UP. IF THE POWER SUPPLY HAS BEEN INTERRUPTED POWER SUPPLY FOR LONGER PERIOD THEN AGAIN CRANK CASE HEATER MUST BE ENERGIZED FOR MINIMUM OF 12 HOURS BEFORE STARTING OF COMPRESSOR.
 - 3) FUSED DISCONNECT SWITCH OR CIRCUIT BREAKER TO BE PROVIDED BY THE USER WITH RELEVANT RATING.
 - 4) PLEASE ALLOW 2 TO 3 MINUTES BEFORE STARTING OF COMPRESSOR. BEFORE STARTING OF COMPRESSOR.
 - 5) COMPRESSOR IS PROVIDED WITH INTERNAL OVERLOAD PROTECTION. INTERNAL OVERLOAD PROTECTION.
 - 6) POWER CIRCUIT FOR 208-230/3PH/60HZ
 - 7) POWER CIRCUIT FOR 380-415 V/3PH/50HZ, 380-400 V/3PH/60HZ & 460 V/3PH/60HZ WITH NEUTRAL
 - 8) REFER INSTRUCTIONS WITH THE COMPONENTS FOR STAR / DELTA CONNECTIONS
 - 9) IF THE POWER SUPPLY IS 230V, CONNECT TO L1 IF THE POWER SUPPLY IS 380V, CONNECT TO N
 - 10) COMPRESSOR OVERLOAD RELAY WILL BE PROVIDED AS STANDARD FOR CAPACITY BTU 240K AND 300K ONLY
 - 11) BLOWER MOTOR OVERLOAD RELAY WILL BE PROVIDED AS STANDARD FOR CAPACITY BTU 300K ONLY

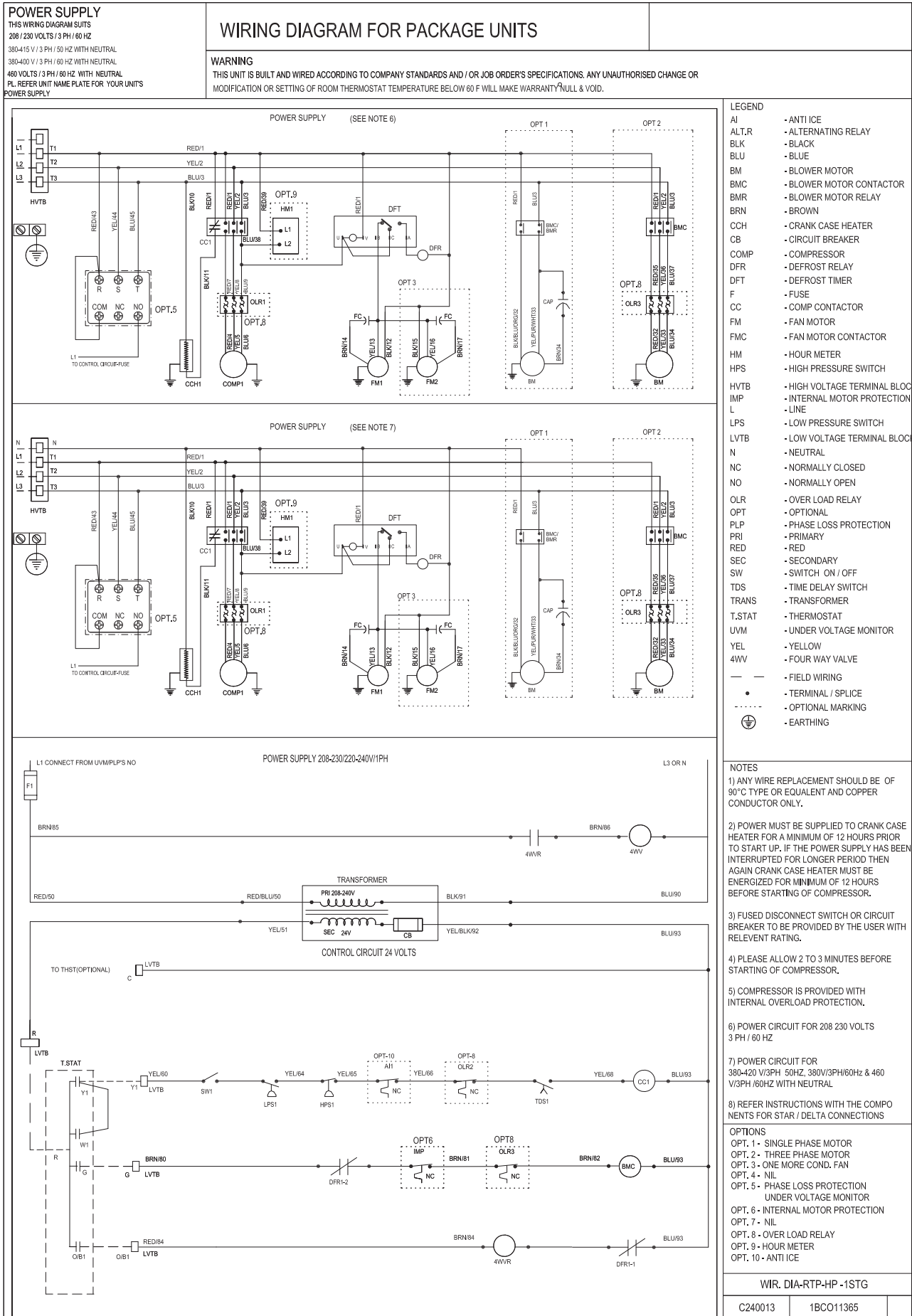
- OPTIONS**
- OPT. 1 - HL
 - OPT. 2 - SINGLE STAGE HEATING
 - OPT. 3 - TWO STAGE HEATING

WIR. DIA-RTP-3PH FAN -SPL

C240319	1BC011B93	02
---------	-----------	----

Wiring Diagrams

3TR, 4 TR, 5 TR & 6 TR UNITS - HP



Wiring Diagrams

7.5TR UNITS

POWER SUPPLY
THIS WIRING DIAGRAM SUITS
208-230 VOLTS / 3 PH / 60 HZ
380-415 V / 3 PH / 50 HZ WITH NEUTRAL
380-400 V / 3 PH / 60 HZ WITH NEUTRAL
460 VOLTS / 3 PH / 60 HZ WITH NEUTRAL
PL REFER UNIT NAME PLATE FOR YOUR UNITS
POWER SUPPLY

WIRING DIAGRAM FOR PACKAGE UNITS

WARNING
THIS UNIT IS BUILT AND WIRED ACCORDING TO COMPANY STANDARDS AND / OR JOB ORDER'S SPECIFICATIONS. ANY UNAUTHORISED CHANGE OR MODIFICATION OR SETTING OF ROOM THERMOSTAT TEMPERATURE BELOW 60 F WILL MAKE WARRANTY NULL & VOID.

POWER SUPPLY (SEE NOTE 6)

POWER SUPPLY (SEE NOTE 7)

LEGEND

- AFS - AIR FLOW SWITCH
- AUX - AUXILIARY
- BLK - BLACK
- BLU - BLUE
- BM - BLOWER MOTOR
- BMC - BLOWER MOTOR CONTACTOR
- BRN - BROWN
- CC - COMP CONTACTOR
- CCH - CRANK CASE HEATER
- CB - CIRCUIT BREAKER
- COMP - COMPRESSOR
- F - FUSE
- FM - FAN MOTOR
- FMC - FAN MOTOR CONTACTOR
- HC - HEATER CONTACTOR
- HM - HOUR METER
- HPS - HIGH PRESSURE SWITCH
- HTR - HEATER
- HVTB - HIGH VOLTAGE TERMINAL BLOCK
- L - LINE
- LPS - LOW PRESSURE SWITCH
- LVTB - LOW VOLTAGE TERMINAL BLOCK
- N - NEUTRAL
- NC - NORMALLY CLOSED
- NO - NORMALLY OPEN
- OHT - OVER HEAT THERMOSTAT
- OLR - OVER LOAD RELAY
- OPT - OPTIONAL
- PLP - PHASE LOSS PROTECTION
- PRI - PRIMARY
- RED - RED
- SEC - SECONDARY
- SSPS - SOLID STATE PROTECTION SYS.
- SW - SWITCH ON/OFF
- TDS - TIME DELAY SWITCH
- TRANS - TRANSFORMER
- T.STAT - THERMOSTAT
- UVM - UNDER VOLTAGE MONITOR
- YEL - YELLOW
- - - - FIELD WIRING
- - - - - TERMINAL / SPLICE
- OPTIONAL MARKING
- ⊕ - - - - EARTHING

POWER SUPPLY 208-230/220-240V/1PH

SEE NOTE 9
L3 OR N

CONTROL CIRCUIT 24 VOLTS

NOTES

- 1) ANY WIRE REPLACEMENT SHOULD BE OF 90°C TYPE OR EQUIVALENT AND OF 90°C TYPE OR EQUIVALENT AND COPPER CONDUCTOR ONLY COPPER CONDUCTOR ONLY.
- 2) POWER MUST BE SUPPLIED TO CRANK CASE HEATER FOR A MINIMUM OF 12 HOURS PRIOR TO START UP. IF THE POWER SUPPLY HAS BEEN INTERRUPTED POWER SUPPLY HAS BEEN INTERRUPTED FOR LONGER PERIOD THEN AGAIN CRANK FOR LONGER PERIOD THEN AGAIN CRANK CASE HEATER MUST BE ENERGIZED FOR MINIMUM OF 12 HOURS BEFORE STARTING OF COMPRESSOR.
- 3) FUSED DISCONNECT SWITCH OR CIRCUIT BREAKER TO BE PROVIDED BY THE USER WITH RELEVANT RATING.
- 4) PLEASE ALLOW 2 TO 3 MINUTES BEFORE STARTING OF COMPRESSOR BEFORE STARTING OF COMPRESSOR.
- 5) COMPRESSOR IS PROVIDED WITH INTERNAL OVERLOAD PROTECTION INTERNAL OVERLOAD PROTECTION.
- 6) POWER CIRCUIT FOR 208-230/3PH/60HZ
- 7) POWER CIRCUIT FOR 380-415 V/3PH /50HZ, 380-400 V/3PH/60HZ, 460 V/3PH/60HZ WITH NEUTRAL
- 8) REFER INSTRUCTIONS WITH THE COMPONENTS FOR STAR / DELTA CONNECTIONS
- 9) IF THE POWER SUPPLY IS 230V, CONNECT TO L3 IF THE POWER SUPPLY IS 380V, CONNECT TO N

WIR DIA RTP- HP -3PH COND MTR

C240485 1BC011F01 00

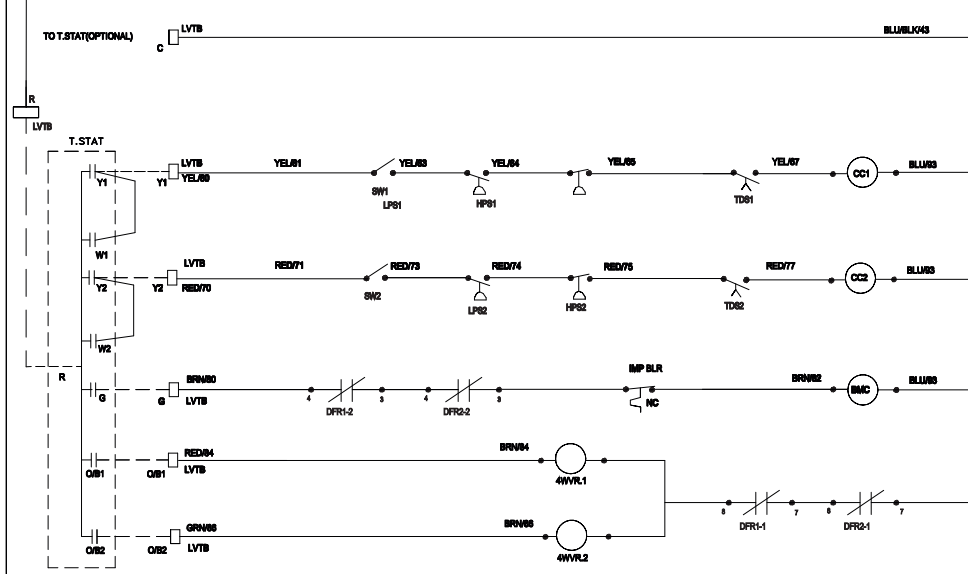
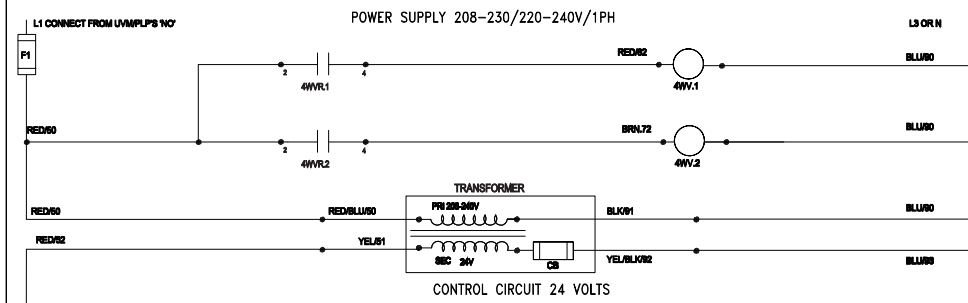
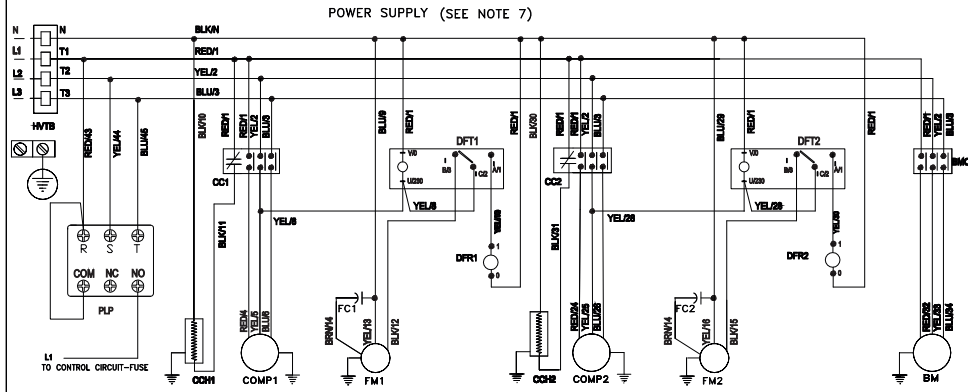
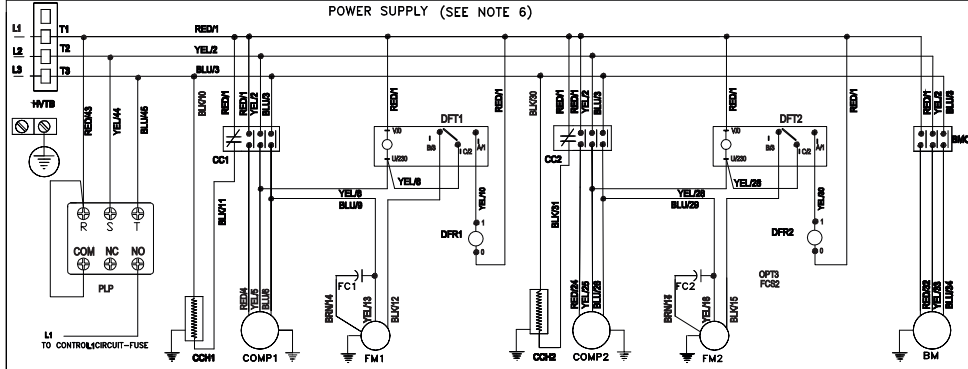
Wiring Diagrams

10TR, 12.5 TR, 5 TR & 15 TR UNITS - HP

POWER SUPPLY
THIS WIRING DIAGRAM SUITS
208-230 VOLTS / 3 PH / 60 HZ
380-415 V / 3 PH / 50 HZ WITH NEUTRAL
380-400 V / 3 PH / 60 HZ WITH NEUTRAL
460 VOLTS / 3 PH / 60 HZ WITH NEUTRAL
PL REFER UNIT NAME PLATE FOR YOUR UNIT'S
POWER SUPPLY

WIRING DIAGRAM FOR PACKAGE UNITS

WARNING
THIS UNIT IS BUILT AND WIRED ACCORDING TO COMPANY STANDARDS AND / OR JOB ORDER'S SPECIFICATIONS. ANY UNAUTHORISED CHANGE OR MODIFICATION OR SETTING OF ROOM THERMOSTAT TEMPERATURE BELOW 60°F WILL MAKE WARRANTY NULL & VOID.



- LEGEND**
- AUXILIARY
 - BLK - BLACK
 - BLU - BLUE
 - BLM - BLOWER MOTOR
 - BM - BLOWER MOTOR CONTACTOR
 - BRN - BROWN
 - CC - COMP CONTACTOR
 - CCH - CRANK CASE HEATER
 - CB - CIRCUIT BREAKER
 - COMP - COMPRESSOR
 - DFR - DEFROST RELAY
 - DFT - DEFROST TIMER
 - F - FUSE
 - FC - FAN CAPACITOR
 - FM - FAN MOTOR
 - FMC - FAN MOTOR CONTACTOR
 - HPS - HIGH PRESSURE SWITCH
 - HVTB - HIGH VOLTAGE TERMINAL BLOCK
 - L - LINE
 - LPS - LOW PRESSURE SWITCH
 - LVTB - LOW VOLTAGE TERMINAL BLOCK
 - N - NEUTRAL
 - NC - NORMALLY CLOSED
 - NO - NORMALLY OPEN
 - OPT - OPTIONAL
 - PLP - PHASE LOSS PROTECTION
 - PRI - PRIMARY
 - RED - RED
 - SEC - SECONDARY
 - SW - SWITCH ON / OFF
 - TDS - TIME DELAY SWITCH
 - TRANS - TRANSFORMER
 - T.STAT - THERMOSTAT
 - UVM - UNDER VOLTAGE MONITOR
 - YEL - YELLOW
 - 4WV - FOUR WAY VALVE
 - 4WVR - 4WAY VALVE RELAY
 - - - - - FIELD WIRING
 - - TERMINAL / SPLICE
 - OPTIONAL MARKING
 - ⊕ - EARTHING

- NOTES**
- 1) ANY WIRE REPLACEMENT SHOULD BE OF 60°C TYPE OR EQUIVALENT AND COPPER CONDUCTOR ONLY.
 - 2) POWER MUST BE SUPPLIED TO CRANK CASE HEATER FOR A MINIMUM OF 12 HOURS PRIOR TO START UP. IF THE POWER SUPPLY HAS BEEN INTERRUPTED FOR LONGER PERIOD THEN AGAIN CRANK CASE HEATER MUST BE ENERGIZED FOR MINIMUM OF 12 HOURS BEFORE STARTING OF COMPRESSOR.
 - 3) FUSED DISCONNECT SWITCH OR CIRCUIT BREAKER TO BE PROVIDED BY THE USER WITH RELEVANT RATING.
 - 4) PLEASE ALLOW 2 TO 3 MINUTES BEFORE STARTING OF COMPRESSOR.
 - 5) COMPRESSOR IS PROVIDED WITH INTERNAL OVERLOAD PROTECTION.
 - 6) POWER CIRCUIT FOR 208-230 V/3PH/60HZ
 - 7) POWER CIRCUIT FOR 380-415 V/3PH / 50HZ, 380-400 V/3PH/60HZ & 460 V/3PH/60HZ WITH NEUTRAL
 - 8) REFER INSTRUCTIONS WITH THE COMPONENTS FOR STAR / DELTA CONNECTIONS

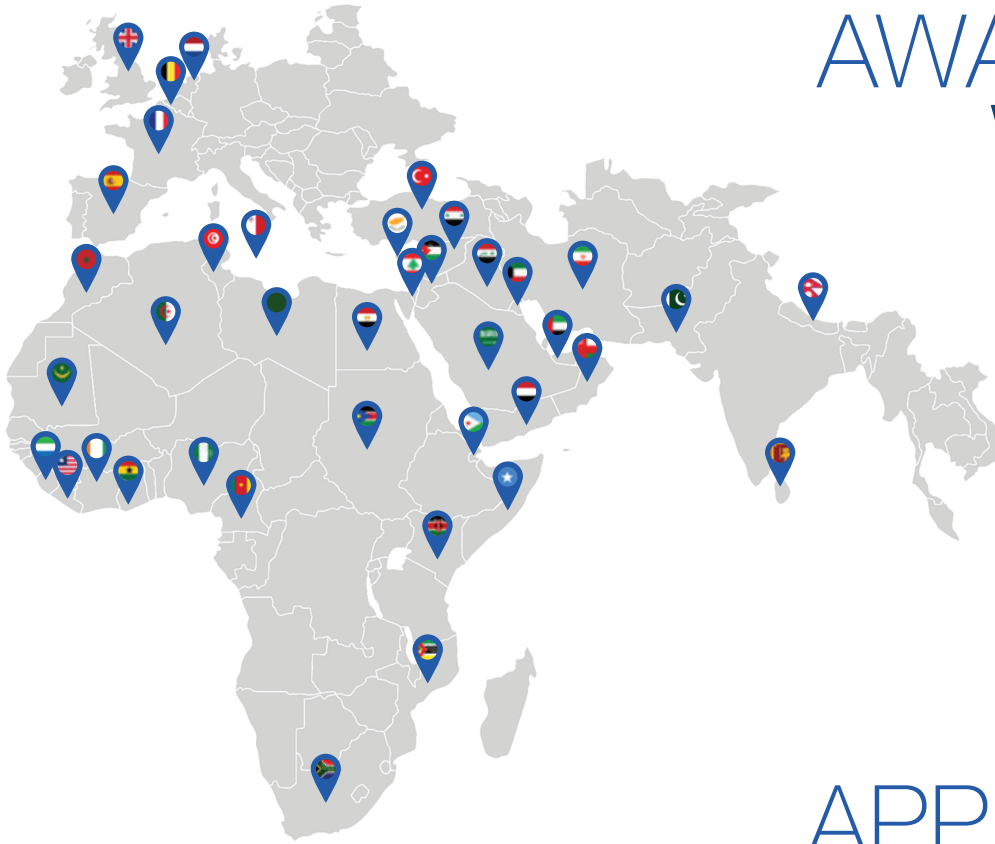
WIR. DIA-RTP-HP -2 SEP MTR
C240061 1BC011591 03

Wiring Diagrams

18 TR, 20TR & 25TR UNITS - HP

<p>POWER SUPPLY THIS WIRING DIAGRAM SUITS 208-230 VOLTS / 3 PH / 60 HZ 380-415 V / 3 PH / 50 HZ WITH NEUTRAL 380-400 V / 3 PH / 60 HZ WITH NEUTRAL 460 VOLTS / 3 PH / 60 HZ WITH NEUTRAL PL REFER UNIT NAME PLATE FOR YOUR UNIT'S POWER SUPPLY</p>	<p style="text-align: center;">WIRING DIAGRAM FOR PACKAGE UNITS</p> <p>WARNING THIS UNIT IS BUILT AND WIRED ACCORDING TO COMPANY STANDARDS AND / OR JOB ORDER'S SPECIFICATIONS. ANY UNAUTHORIZED CHANGE OR MODIFICATION OR SETTING OF ROOM THERMOSTAT TEMPERATURE BELOW 60 F WILL MAKE WARRANTY NULL & VOID.</p>				
<p style="text-align: center;">POWER SUPPLY (SEE NOTE 6)</p>	<p style="text-align: center;">POWER SUPPLY (SEE NOTE 7)</p>	<p>LEGEND</p> <ul style="list-style-type: none"> AUX - AUXILIARY BLK - BLACK BLU - BLUE BM - BLOWER MOTOR BMC - BLOWER MOTOR CONTACTOR BRN - BROWN CC - COMP CONTACTOR CCH - CRANK CASE HEATER CB - CIRCUIT BREAKER COMP - COMPRESSOR DFR - DEFOREST RELAY DFT - DEFOREST TIMER F - FUSE FM - FAN MOTOR FMC - FAN MOTOR CONTACTOR HPS - HIGH PRESSURE SWITCH HVTB - HIGH VOLTAGE TERMINAL BLOCK L - LINE LPS - LOW PRESSURE SWITCH LVTB - LOW VOLTAGE TERMINAL BLOCK N - NEUTRAL NC - NORMALLY CLOSED NO - NORMALLY OPEN OLR - OVER LOAD RELAY OPT - OPTIONAL PLP - PHASE LOSS PROTECTION PRI - PRIMARY RED - RED SEC - SECONDARY SSPS - SOLID STATE PROTECTION SYS. SW - SWITCH ON / OFF TDS - TIME DELAY SWITCH TRANS - TRANSFORMER T.STAT - THERMOSTAT UVM - UNDER VOLTAGE MONITOR YEL - YELLOW 4WV - FOUR WAY VALVE 4WVR - 4WAY VALVE RELAY <p>— — — — — FIELD WIRING • — — — — TERMINAL / SPLICE - - - - - OPTIONAL MARKING ⊕ — — — — — EARTHING</p>			
<p style="text-align: center;">POWER SUPPLY 208-230V / 220-240V / 1 PH</p> <p style="text-align: center;">CONTROL CIRCUIT 24 VOLTS</p> <p style="text-align: right;">SEE NOTE 9</p>	<p>NOTES</p> <ol style="list-style-type: none"> 1) ANY WIRE REPLACEMENT SHOULD BE OF 60°C TYPE OR EQUIVALENT AND COPPER CONDUCTOR ONLY. 2) POWER MUST BE SUPPLIED TO CRANK CASE HEATER FOR A MINIMUM OF 12 HOURS PRIOR TO START UP. IF THE POWER SUPPLY HAS BEEN INTERRUPTED FOR LONGER PERIOD THEN AGAIN CRANK CASE HEATER MUST BE ENERGIZED FOR MINIMUM OF 12 HOURS BEFORE STARTING OF COMPRESSOR. 3) FUSED DISCONNECT SWITCH OR CIRCUIT BREAKER TO BE PROVIDED BY THE USER WITH RELEVANT RATING. 4) PLEASE ALLOW 2 TO 3 MINUTES BEFORE STARTING OF COMPRESSOR. 5) COMPRESSOR IS PROVIDED WITH INTERNAL OVERLOAD PROTECTION. 6) POWER CIRCUIT FOR 208-230 V/3PH/60HZ 7) POWER CIRCUIT FOR 380-415V/3PH/50HZ, 380-400 V/3PH/60HZ & 460 V/3PH/60HZ WITH NEUTRAL 8) REFER INSTRUCTIONS WITH THE COMPONENTS FOR STAR / DELTA CONNECTIONS 9) CONNECT L1 IF POWER SUPPLY IS 208-230 V/3PH/60HZ CONNECT N IF POWER SUPPLY IS 380-415V/3PH/50HZ, 380-400 V/3PH/60HZ & 460 V/3PH/60HZ WITH NEUTRAL 				
<p>OPTIONAL</p> <ol style="list-style-type: none"> 1) OPT1 - OVERLOAD RELAY 2) OPT2 - INTERNAL MOTOR PROTECTOR 					
<p>WIR DIA RTP HP 2FM SEP MTR</p> <table style="width: 100%; border-collapse: collapse;"> <tr> <td style="width: 33%; border: 1px solid black; padding: 2px;">C240438</td> <td style="width: 33%; border: 1px solid black; padding: 2px;">1BC011E18</td> <td style="width: 33%; border: 1px solid black; padding: 2px;">01</td> </tr> </table>			C240438	1BC011E18	01
C240438	1BC011E18	01			

AUTHORISED DISTRIBUTORS



AWAL GULF WORLDWIDE

APPROVALS QUALITY ASSURANCE



AWAL GULF
MANUFACTURING Co. B.S.C. (C)

Tel: 1773 8333 | Fax: 1773 1541 / 1773 1529
P.O. Box 15919, Manama, Kingdom of Bahrain
Email: export@awalgulf.com.bh | Website: www.awalgulf.com

 [awalgulfmanufacturing](https://www.instagram.com/awalgulfmanufacturing)



ROOF TOP PACKAGE UNIT

AIR CONDITIONERS

Capacity 30-90TR

3RTH - 50Hz



MAKING LIFE COOL

INDEX

CONTENTS

e g a P

INTRODUCTION	3
SALIENT FEATURES	4
OPTIONAL FEATURES	5
G A DRAWINGS	6

UNIT SPECIFICATIONS

a. ENGINEERING SPECIFICATIONS	9
b. ELECTRICAL DATA	10
c. COOLING PERFORMANCE DATA	11
d. FAN PERFORMANCE DATA	20
e. HEATING PERFORMANCE DATA	22
f. WIRING DIAGRAMS	24

INTRODUCTION

Roof top package units have been developed & produced by to provide not only the ultimate indoor comfort, but also to guarantee long & trouble free operations.

Herein lies the reason for the Choice of only the highest quality components and design strategies to meet the most important objectives such as,

Efficiency

Reliability

Flexibility

Easy Install ability

Serviceability

Affordability

**30 TO 90 TONS CAPACITY
ROOF TOP PACKAGE UNITS**

SALIENT FEATURES

- The units are horizontal air flow type and are suitable for mounting on the roof or on the ground. All units are factory assembled, piped, internally wired and fully charged with R-407C. These units are tested in accordance with ARI standards.
- The units are available in the following voltages
380-415 V/3PH/50 HZ
- All components are mounted in a weather resistant steel cabinet. The cabinet & access panels are powder coated for lasting protection and durability. Indoor air section compartments are completely insulated with 1" Fire retardant fiberglass insulation for 30TR & 35TR & with 2" Fire retardant fiberglass insulation for 40TR to 90TR. Knockouts provided for utility and control connections. Units from 40TR to 90TR are made in profile construction.
- Air filter is a synthetic filter of 50 mm thickness
- Compressors are fully hermetic type designed for high efficiency provided with standard control and safety devices like HP & LP controls and crank case heater for scroll and reciprocating compressors.
- Evaporator and condenser coils are made of seamless Inner grooved copper tubes mechanically bonded to aluminum fins, leak tested and pressure tested to 550 psig.
- Evaporator blowers are Belt driven centrifugal type, forward curve blade design, sized to meet system air flow and static. Backward curved blowers can be given as an option
- Condenser fans are propeller type, direct drive, draw through vertical discharge with fan guard mounted to the panel.
- Thermostatic expansion valve / metering device provides precision control for maximized cooling.
- The units are completely factory wired with single point power input.
- Easy accessible control box, compressor, controls and blower compartment.
- Primary control circuit is designed to operate at 24 volts.
- All the units are provided with compressor lockout either by locking relays or by high pressure control trip with manual reset switch.
- All the units are provided with 2.5 -3 min time delay for compressor start
- Phase Loss Protection is standard for all models

OPTIONAL FEATURES

Electric Heaters

Heresite Coated Fins For Condenser Coils

Hydrophilic Coated Fins For Evaporator Coils

Copper Fins For Condenser And Evaporator Coils

Thermostat: Provides Cooling, Staged Heating And Fan Control

Antifreeze Thermostats

Hour Meter

Voltage Monitor

Fan Speed Controller

Micro Processor Control

Fan Cycling Switch

Compressor Alternating Switch

Compressor Interlock With Blower

Pump Down System

Over Load Thermal Protection For Condenser Motors

Volt Free Contacts For Bms

Dual And Adjustable Pressure Switches

Stainless Steel Drain Pan

Fine / Bag Filter

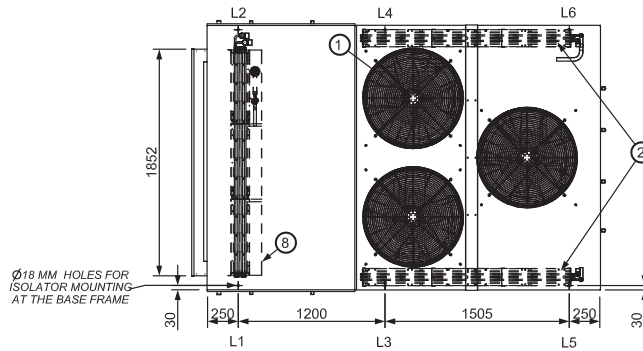
PCB

Backward Curved Blower

GENERAL ARRANGEMENT DRAWINGS

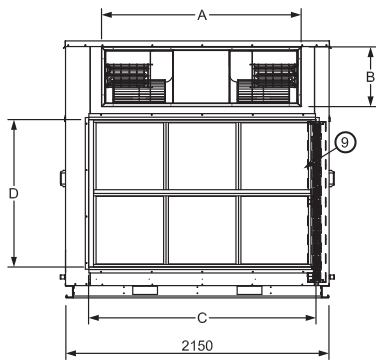
GENERAL ARRANGEMENT & LOAD DISTRIBUTION DRAWING - 30TR / 35TR

S.NO	LEGENDS
1	COND FAN MOTOR & GRILL
2	CONDENSOR COIL
3	COMPRESSOR
4	SUPPLY AIR OPENING
5	CONTROL PANEL ACCESS
6	COMPRESSOR ACCESS
7	SUPPLY AIR BLOWER MOTOR
8	EVAPORATOR COIL
9	PRE FILTER
10	BLOWER ACCESS
11	COIL ACCESS
12	FILTER ACCESS

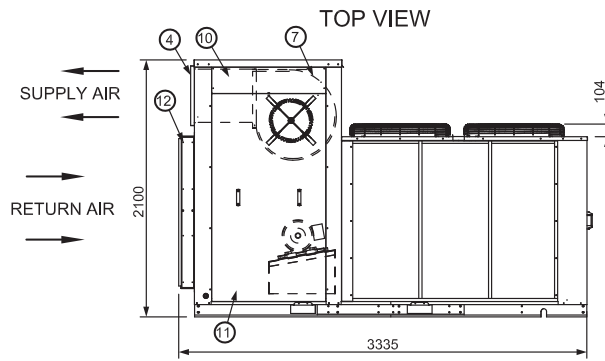


LOAD DISTRIBUTION (KG)		
S.NO	30TR	35TR
L1	405	420
L2	375	390
L3	380	385
L4	380	385
L5	320	330
L6	350	360

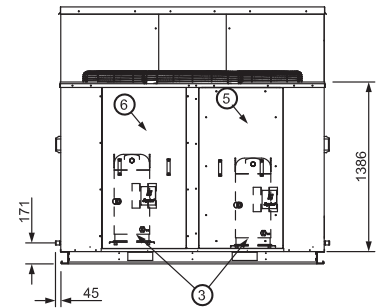
SUPPLY AND RETURN AIR OPENING SIZE		
A	SA OPENING WIDTH	1630 MM
B	SA OPENING HEIGHT	487 MM
C	RA OPENING WIDTH	1858 MM
D	RA OPENING HEIGHT	1204 MM



LHS VIEW



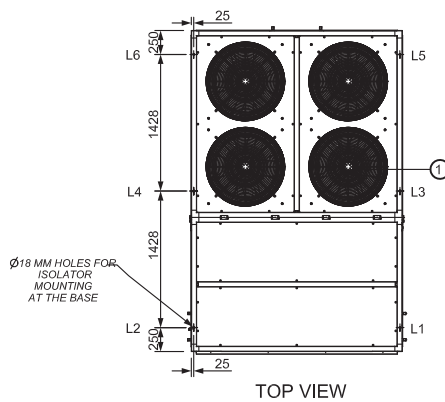
FRONT VIEW



RHS VIEW

GENERAL ARRANGEMENT & LOAD DISTRIBUTION DRAWING - 40TR / 45TR / 50TR

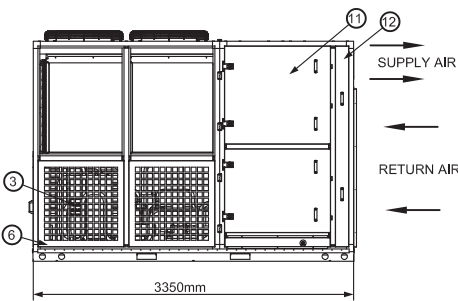
S.NO	LEGENDS
1	COND FAN & GRILL
2	CONDENSOR COIL
3	COMPRESSOR
4	SUPPLY AIR OPENING
5	CONTROL PANEL ACCESS
6	COMPRESSOR ACCESS
7	SUPPLY AIR BLOWER
8	EVAPORATOR COIL
9	PRE FILTER
10	BLOWER MOTOR
11	BLOWER & COIL ACCESS
12	FILTER ACCESS



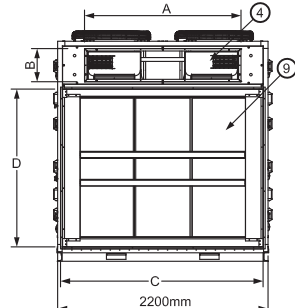
TOP VIEW

LOAD DISTRIBUTION (KG)			
S.NO	40TR	45TR	50TR
L1	610	610	610
L2	580	580	580
L3	520	540	550
L4	520	540	550
L5	533	550	565
L6	533	550	565

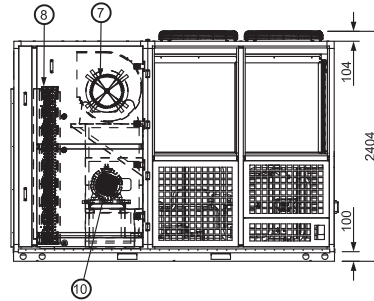
SUPPLY AND RETURN AIR OPENING SIZE		
A	SA OPENING WIDTH	1636 MM
B	SA OPENING HEIGHT	347 MM
C	RA OPENING WIDTH	2103 MM
D	RA OPENING HEIGHT	1653 MM



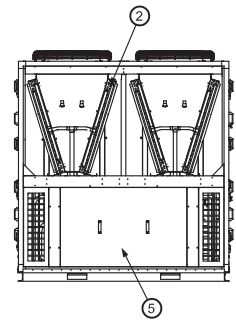
LHS VIEW



FRONT VIEW



RHS VIEW

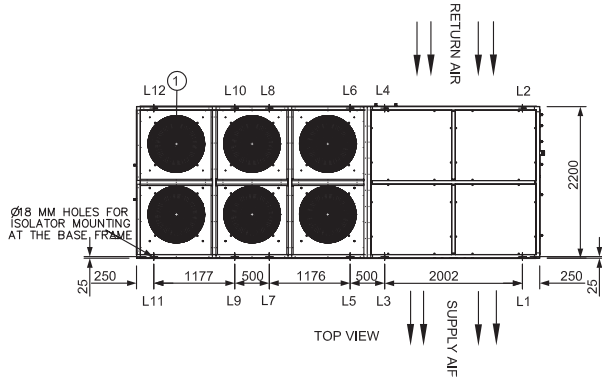


BACK VIEW

GENERAL ARRANGEMENT DRAWINGS

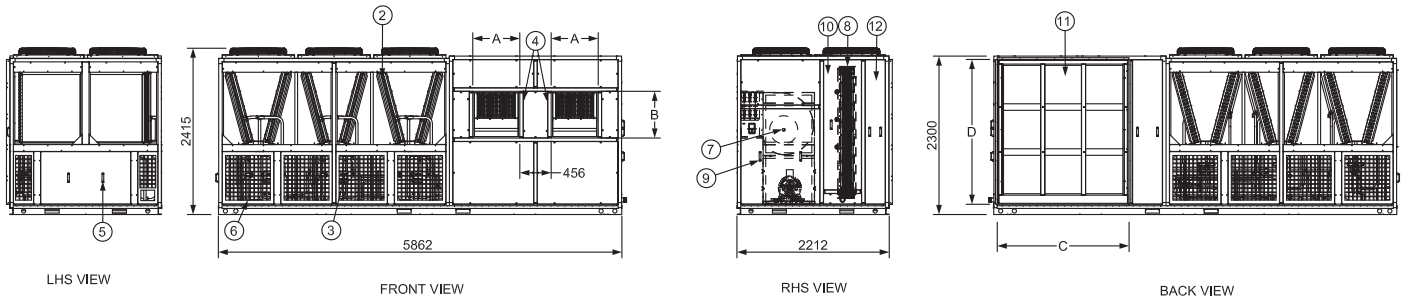
GENERAL ARRANGEMENT & LOAD DISTRIBUTION DRAWING - 60TR / 70TR

S.NO	LEGENDS
1	COND FAN, MOTOR & GRILL
2	CONDENSOR COIL
3	COMPRESSOR
4	SUPPLY AIR OPENING
5	CONTROL PANEL ACCESS
6	COMPRESSOR ACCESS
7	SUPPLY AIR BLOWER & MOTOR
8	EVAPORATOR COIL
9	BLOWER ACCESS
10	COIL ACCESS
11	PRE FILTER
12	FILTER ACCESS



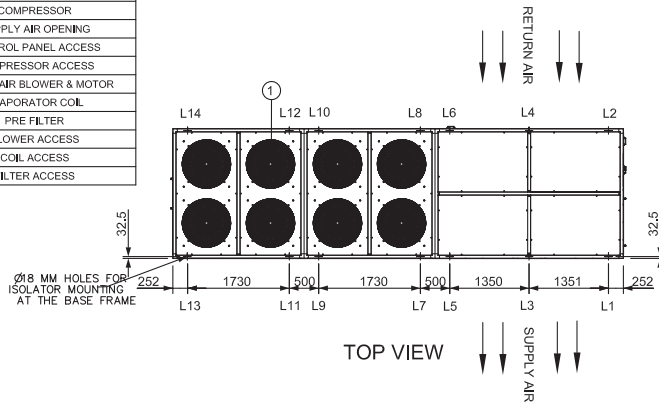
LOAD DISTRIBUTION (KG)		
S.NO	60TR	70TR
L1	330	330
L2	360	360
L3	300	300
L4	360	360
L5	420	430
L6	420	430
L7	420	430
L8	420	430
L9	420	430
L10	420	430
L11	430	440
L12	430	440

SUPPLY AND RETURN AIR OPENING SIZE		
A	SA OPENING WIDTH	682 MM
B	SA OPENING HEIGHT	678 MM
C	RA OPENING WIDTH	1912 MM
D	RA OPENING HEIGHT	2100 MM



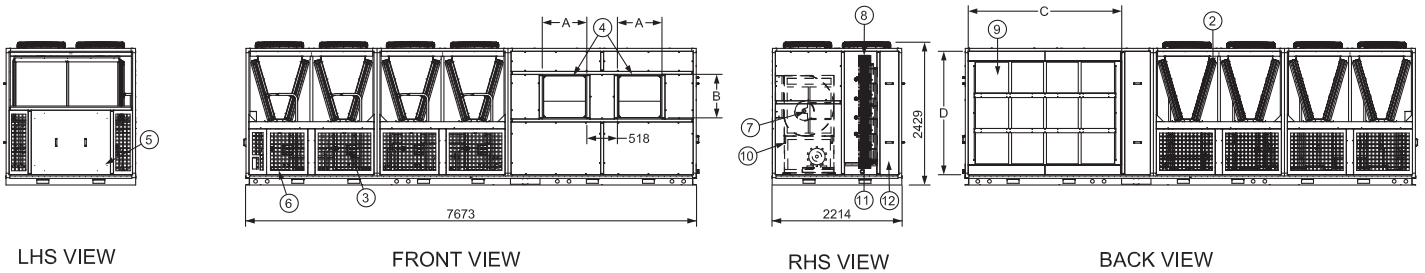
GENERAL ARRANGEMENT & LOAD DISTRIBUTION DRAWING - 80TR / 90TR

S.NO	LEGENDS
1	COND FAN, MOTOR & GRILL
2	CONDENSOR COIL
3	COMPRESSOR
4	SUPPLY AIR OPENING
5	CONTROL PANEL ACCESS
6	COMPRESSOR ACCESS
7	SUPPLY AIR BLOWER & MOTOR
8	EVAPORATOR COIL
9	PRE FILTER
10	BLOWER ACCESS
11	COIL ACCESS
12	FILTER ACCESS



LOAD DISTRIBUTION (KG)		
S.NO	80TR	90TR
L1	315	315
L2	320	325
L3	290	290
L4	320	325
L5	290	290
L6	320	325
L7	430	455
L8	430	455
L9	430	455
L10	430	455
L11	430	455
L12	430	455
L13	450	475
L14	450	475

SUPPLY AND RETURN AIR OPENING SIZE		
A	SA OPENING WIDTH	760 MM
B	SA OPENING HEIGHT	760 MM
C	RA OPENING WIDTH	2612 MM
D	RA OPENING HEIGHT	2100 MM



ENGINEERING SPECIFICATIONS - R407C

UNIT SPECIFICATIONS

ENGINEERING SPECIFICATIONS - R407C

Engineering Specifications High EER Roof Top Package units

Description	Unit of measurement	UNIT MODEL									
		3RTH360GC2	3RTH420GC2	3RTH480GC2	3RTH540GC2	3RTH600GC2	3RTH720GC3	3RTH840GC3	3RTH960GC4	3RTH1080GC4	
Nominal Cooling Capacity @ 35°C (T1)	Btu /Hr	342,449	401,745	491,656	558,534	615,047	738,114	857,517	950,964	1,034,050	
Power Consumption @ T1	Watts	35,154	41,492	49,346	56,140	61,548	73,736	85,405	99,376	106,912	
EER @ T1		9.7	9.7	10.0	9.9	10.0	10.0	10.0	9.6	9.7	
Cooling Capacity @ 46° (T3) *	Btu /Hr	316,800	359,618	433,717	490,529	526,913	647,966	754,184	858,051	931,719	
Power consumption @ 46° (T3) *	Watts	42,240	47,949	57,829	65,404	70,255	86,396	100,558	119,174	129,405	
Power consumption /Ton @ 46° (T3)	Kwatts/tr.	1.60	1.60	1.60	1.60	1.60	1.60	1.60	1.67	1.67	
Heating Capacity	Btu /Hr	343,134	407,772	501,489	565,881	624,272	760,257	874,619	963,354	1,054,731	
Heating Power consumption	Watts	34,802	41,077	48,853	55,759	60,933	72,999	84,551	93,382	105,843	
Air Flow (Evaporator)	CFM	12,000	13,000	14,000	16,000	18,000	21,000	25,000	29,000	32,400	
External static pressure	Inch H2O g	1.0"	1.4"	1.4"	1.4"	1.4"	1.6"	1.6"	1.6"	1.6"	
Refrigerant Type		R407C									
Type		Centrifugal									
Drive		Belt Drive									
Dia x width		18" x 18" - Twin	18" x 18" - Twin	18" x 18" - Twin	18" x 18" - Twin	18" x 18" - Twin	20" x 20" - Twin	20" x 20" - Twin	20" x 20" - Twin	20" x 20" - Twin	
Qty		1	1	1	1	1	1	1	1	1	
Power Supply	V/Ph/Hz	380-415V/3Ph/50 Hz									
HP		10.00	10.00	15.00	15.00	15.00	20.00	20.00	25.00	25.00	
Air filter Type		Synthetic Filter									
Face Area	Sq.ft	25.22	25.22	30.46	30.46	30.46	38.41	38.41	52.39	52.39	
Tube Dia / no of row/ FPI		1/2" / 3 / 12	1/2" / 4 / 12	1/2" / 4 / 12	1/2" / 4 / 12	1/2" / 4 / 12	1/2" / 4 / 14	1/2" / 5 / 14	1/2" / 4 / 12	1/2" / 5 / 12	
Material Tubes - Fins		CU-AL									
Type		TEX VALVE									
Qty		2	2	2	2	2	3	3	4	4	
Supply air Opening size	W X H	1580 x 485	1580 x 485	1636 x 347	1636 x 347	1636 x 347	642 x 638	642 x 638	864 x 720	864 x 720	
Return air Opening size	W X H	1850 x 1240	1850 x 1240	1653 x 2104	1653 x 2104	1653 x 2104	2050 x 1686	2050 x 1686	2721 x 2205	2721 x 2205	
Power Supply	V/Ph/Hz	380-415V/3Ph/50 Hz									
Type		SCROLL									
Quantity		2	2	2	2	2	3	3	4	4	
Protection		Internal									
Crankcase heater	Qty x Watts	2 x 90	2 x 90	2 x 90	2 x 90	2 x 90	3 x 90	3 x 90	4 x 90	4 x 90	
Type		Propeller / Direct driven									
Y t Q		3	3	4	4	4	6	6	8	8	
Dia of Fan	Inch	30"	30"	30"	30"	30"	30"	30"	30"	30"	
Type of coil		Corrugated al fin with inner grooved copper coil									
Face Area	Sq.ft	46.50	46.50	78.70	78.70	78.70	124.00	124.00	165.34	165.34	
Tube Dia / no of row/ FPI		3/8" / 3 / 14	3/8" / 3 / 14	3/8" / 3 / 14	3/8" / 4 / 14	3/8" / 4 / 14	3/8" / 3 / 14	3/8" / 4 / 14	3/8" / 3 / 14	3/8" / 4 / 14	
Power Supply	V/Ph/Hz	380-415V/3Ph/50 Hz									
HP		1 1/2	1 1/2	1 1/2	1 1/2	1 1/2	1 1/2	1 1/2	1 1/2	1 1/2	
Y t Q		3	3	4	4	4	6	6	8	8	
h t g n e L		5 3 3 3 5 2	3 3 0 5	3 3 0 5	3 3 0 5	3 3 0 5	3 3 2 6	3 3 2 6	3 3 2 6	3 3 2 6	
h t d i W		0 5 1 2 0 5	1 2 0 0	1 2 0 0	1 2 0 0	1 2 0 0	2 2 1 2	2 2 1 2	2 2 1 2	2 2 1 2	
t h g i e H		0 0 1 2 0 0	1 2 4 0	1 2 4 0	1 2 4 0	1 2 4 0	2 5 1 4	2 5 1 4	2 5 1 4	2 5 1 4	
G K		0 1 2 2 0 7	2 2 6 9	2 3 0 7	2 3 0 7	2 3 0 7	3 0 3 7	3 0 3 7	3 0 3 7	3 0 3 7	
Unit Weight		8 4	5 3	4 0	1 8	4 5	3 5	3 5	3 5	3 5	
Note:		As a result of continuous research & development, the above specifications are subject to change without notice, need to contact our sales team time to time									
		*Cooling Capacity & Power Consumption / Ton are rated as per ESMA T3 condition									

UNIT SPECIFICATIONS

ELECTRICAL DATA FOR 30TR- 90TR-50HZ UNITS

380/415V-3PH-50HZ ("G" VOLTAGE) POWER SUPPLY - R407C

MODEL	V/PH/Hz	Operating Voltage		Compressor			Condenser Motor			BLOWER MOTOR		HEATER		MCA (COOL)	MCA (HEATE)	MOCP (COOL)	MOCP (HEATE)	
		MIN	MAX	TYPY	RLA	LRA	QTY	HP	AMPS	QTY	HP	AMPS	KW	AMPS	AMPS	AMPS	AMPS	AMPS
3RTH360GC2	380-415/3/50	342	456	SCR	26.0	174	1	1 1/2	3.0	3	10	14.5	30	43.5	87	69.0	115	85
					29.3	225	1											
3RTH420GC2	380-415/3/50	342	456	SCR	29.3	225	2	1 1/2	3.0	3	10	14.5	30	43.5	90	69.0	120	85
3RTH480GC2	380-415/3/50	342	456	SCR	37.0	272	2	1 1/2	3.0	4	15	22.0	40	60.8	118	98.0	155	120
3RTH540GC2	380-415/3/50	342	456	SCR	37.0	272	1	1 1/2	3.0	4	15	22.0	40	60.8	128	98.0	170	120
					45.0	310	1											
3RTH600GC2	380-415/3/50	342	456	SCR	45.0	310	2	1 1/2	3.0	4	15	22.0	50	76.0	135	117.0	180	140
3RTH720GC3	380-415/3/50	342	456	SCR	37.0	272	3	1 1/2	3.0	6	20	30.0	50	76.0	170	125.0	205	155
3RTH840GC3	380-415/3/50	342	456	SCR	37.0	272	1	1 1/2	3.0	6	20	30.0	50	76.0	187	125.0	230	155
					45.0	310	2											
3RTH960GC4	380-415/3/50	342	456	SCR	37.0	272	4	1 1/2	3.0	8	25	38.3	60	91.2	220	153.0	255	190
3RTH1080GC4	380-415/3/50	342	456	SCR	37.0	272	2	1 1/2	3.0	8	25	38.3	60	91.2	238	153.0	280	190
					45.0	310	2											

NOTE:

SCR - Scroll Compressor, RLA - Running Load Amps, LRA - Locked Rotor Amps, FLA - Full Load Amps, MCA - Minimum Circuit Amps
MOCP - Maximum Over Current Protection

UNIT SPECIFICATIONS

COOLING PERFORMANCE DATA - R407C

Model	Evaporator CFM	Dry Bulb Temp. F	Wet Bulb Temp. F	85.00			95.00			105.00			115.00			120.00			125.00				
				Capacity Btuh	Sensible capacity Btuh	Power Input Watt	Capacity Btuh	Sensible capacity Btuh	Power Input Watt	Capacity Btuh	Sensible capacity Btuh	Power Input Watt	Capacity Btuh	Sensible capacity Btuh	Power Input Watt	Capacity Btuh	Sensible capacity Btuh	Power Input Watt	Capacity Btuh	Sensible capacity Btuh	Power Input Watt		
				3RTH480GC2																			
10000	84.2	66.2	63	502226	408625	45457	474926	396714	48788	445769	384804	53228	407694	349228	56672	395402	346461	59466	383026	340928	62430		
				76	458762	346565	44151	433588	337632	47389	389024	316789	51019	355549	286034	54355	346480	283267	57059	333729	277734	59932	
				78	466387	373440	44382	440840	364507	47637	395664	343664	51283	361650	311004	54632	350614	308237	57347	339496	302704	60230	
				80	474008	400316	44613	448088	391383	47884	402302	370539	51545	367750	335974	54907	356547	333207	57633	345261	327674	60527	
				82	481623	430168	44842	455331	418258	48130	408938	397414	51806	373847	360944	55181	362477	355411	57917	351025	352644	60822	
				76	466002	317043	44371	440471	305133	47625	406450	293222	51706	371562	264138	55076	360255	258604	57808	348866	255838	60709	
				78	473806	343918	44606	447894	332008	47877	413380	320097	51977	377929	289108	55361	366448	283575	58104	354885	280808	61016	
				80	481606	370794	44841	455313	358883	48129	420307	346972	52247	384295	314078	55644	372640	308545	58398	360902	303012	61322	
				82	489401	397669	45075	462726	385758	48379	427230	370870	52516	390657	336281	55926	378828	333515	58691	366917	327982	61626	
				76	472850	272767	44577	446983	264204	47846	423986	255640	52388	387676	229563	55791	375929	226911	58551	364099	221607	61481	
				78	480829	310985	44818	454572	302064	48104	431207	293144	52667	394312	264076	56085	382384	261314	58856	370373	255788	61797	
				80	488804	338294	45057	462157	329361	48359	438425	320428	52945	400945	289415	56376	388837	283882	59159	376645	281115	62111	
	82	496773	365169	45294	469737	356236	48614	445639	347303	53222	407575	314385	56666	395286	308852	59460	382913	306086	62424				
	76	479076	222425	44763	452904	214634	48045	441404	209440	53055	403684	187355	56491	391502	184942	59278	379236	182529	62235				
	78	487125	252398	45006	460559	244315	48306	448825	241620	53342	410504	216982	56792	398136	214479	59590	385684	209472	62558				
	80	495246	287581	45249	468284	279180	48565	456316	276380	53627	417388	248983	57091	404833	246382	59901	392194	241178	62881				
	82	503693	325724	45500	476003	316978	48824	463800	314062	53911	424268	283674	57388	411525	278256	60209	398700	275547	63201				
	14000	84.2	66.2	63	534283	475145	46384	505240	461296	49783	474222	447446	54314	433717	406079	57829	420640	402862	60680	407474	396428	63704	
					76	488045	402983	45052	461264	392596	48357	413855	368359	52060	378243	332597	55464	366681	329380	58223	355031	322946	61155
					78	496156	434233	45288	468978	423846	48610	420919	399609	52329	384734	361632	55747	372994	358415	58517	361166	351982	61460
					80	504264	465483	45523	476689	455096	48861	427981	430859	52597	391223	390667	56028	379305	387451	58809	367299	381017	61763
					82	512365	500196	45757	484395	486346	49112	435040	462110	52863	397709	419703	56307	385614	413269	59099	373431	410052	62064
					76	495746	368655	45276	468586	354805	48597	432394	340956	52761	395278	307137	56200	383250	300703	58988	371134	297486	61948
					78	504049	399905	45517	476482	386056	48855	439766	372206	53038	402052	336172	56491	389839	329738	59290	377537	326521	62262
80					512347	431155	45756	484375	417306	49111	447135	403456	53314	408824	365207	56780	396425	358773	59590	383938	352339	62574	
82					520639	462405	45995	492262	448556	49366	454500	431244	53588	415592	391025	57067	403009	387808	59889	390337	381374	62883	
76					503032	317171	45487	475514	307213	48823	451049	297256	53457	412421	266934	56930	399925	263850	59746	387340	257683	62735	
78					511520	361610	45732	483587	351237	49085	458731	340865	53742	419481	307065	57229	406792	303853	60057	394014	297428	63058	
80					520004	393365	45976	491656	382978	49346	466410	372591	54026	426538	336529	57527	413656	330095	60366	400686	326878	63379	
82		528482	424615	46219	499720	414228	49606	474084	403841	54308	433590	365564	57823	420517	359130	60673	407355	355913	63698				
76		509656	258634	45677	481813	249574	49025	469579	243534	54138	429451	217855	57644	416491	215049	60488	403443	212243	63505				
78		518218	293486	45925	489956	284087	49291	477474	280953	54430	436706	252305	57951	423548	249394	60806	410302	243572	63835				
80		526858	334396	46172	498174	324628	49556	485442	321372	54721	444030	289516	58256	430673	286490	61123	417228	280440	64164				
82		535843	378749	46429	506386	368579	49820	493404	365189	55011	451348	329853	58559	437793	323554	61438	424149	320404	64491				
15000		84.2	66.2	63	538557	494151	46477	509282	479748	49883	478016	465344	54423	437187	422322	57945	424005	418976	60801	410734	412285	63832	
					76	491949	419102	45142	464954	408299	48453	417166	383093	52164	381269	345901	55575	369615	342556	58340	357872	335864	61277
					78	500125	451602	45379	472730	440800	48707	424286	415594	52434	387812	376098	55858	375978	372752	58634	364055	366061	61582
					80	508298	484102	45614	480503	473300	48959	431405	448094	52702	394353	406294	56140	382340	402949	58926	370238	396257	61886
					82	516464	520204	45848	488270	505800	49210	438521	480594	52969	400891	436491	56419	388699	429799	59217	376418	426454	62188
					76	499712	383401	45367	472335	368998	48694	435853	354594	52866	398440	319422	56312	386316	312731	59105	374103	309385	62072
					78	508081	415901	45608	480294	401498	48952	443284	387094	53144	405269	349619	56604	392957	342927	59408	380557	339582	62386
	80				516446	448401	45848	488250	433998	49209	450712	419594	53420	412095	379815	56893	399597	373124	59709	387010	366433	62699	
	82				524804	480902	46087	496200	466498	49465	458136	448494	53695	418917	406666	57181	406233	403320	60009	393460	396629	63009	
	76				507057	329857	45578	479318	319502	48920	454657	309146	53564	415720	277611	57044	403124	274404	59866	390438	267990	62861	
	78				515613	376074	45824	487456	365287	49183	462401	354499	53850	422837	319348	57344	410046	316007	60177	397166	309325	63184	
	80				524164	409100	46068	495590	398297	49445	470141	387494	54134	429950	349990	57642	416965	343299	60487	403892	339953	63505	
	82	532709	441600	46311	503718	430797	49705	477877	419995	54417	437059	380187	57938	423881	373496	60795	410613	370150	63825				
	76	513733	268979	45768	485668	259557	49123	473335	253276	54246	432887	226569	57759	419823	223651	60609	406670	220733	63632				
	78	522364	305226	46017	493876	295450	49390	481293	292192	54539	440200	262397	58066	426937	259370	60928	413584	253315	63963				
	80	531073	347772	46265	502160	337613	49655	489326	334227	54831	447582	301096	58372	434118	297950	61245	420566	291657	64292				
	82	540130	393899	46521	510437	383322	49920	497351	379796	55121	454959	343048	58676	441295	336496	61561	427542	333220	64620				

FAN PERFORMANCE - 3RTH360																		
External Static Pressure																		
Air Flow (CFM)	0.4		0.6		0.8		1.0		1.2		1.4		1.6		1.8		2.0	
	RPM	BHP	RPM	BHP	RPM	BHP	RPM	BHP	RPM	BHP	RPM	BHP	RPM	BHP	RPM	BHP	RPM	BHP
8500	647	2.72	684	2.92	754	3.65	800	3.93	838	4.46	872	4.93	900	5.32	927	5.78	972	6.11
9000	644	2.87	689	3.15	746	3.79	793	4.07	829	4.60	862	5.06	890	5.45	919	5.91	963	6.28
10000	637	3.17	679	3.62	730	4.07	780	4.34	811	4.88	843	5.33	871	5.70	902	6.15	945	6.61
11000	630	3.47	670	4.09	715	4.36	767	4.62	793	5.16	824	5.60	851	5.96	886	6.40	927	6.93
12000	628	4.00	672	4.42	706	4.67	758	4.96	785	5.58	810	6.00	840	6.25	887	6.67	916	7.25
13000	624	4.56	668	5.06	703	5.40	751	5.66	777	6.17	800	6.50	830	6.67	879	7.18	914	7.77

FAN PERFORMANCE - 3RTH420																		
External Static Pressure																		
Air Flow (CFM)	0.4		0.6		0.8		1.0		1.2		1.4		1.6		1.8		2.0	
	RPM	BHP	RPM	BHP	RPM	BHP	RPM	BHP	RPM	BHP	RPM	BHP	RPM	BHP	RPM	BHP	RPM	BHP
9500	640	3.02	684	3.39	738	3.93	787	4.20	820	4.74	853	5.20	881	5.57	911	6.03	954	6.44
10000	637	3.17	679	3.62	730	4.07	780	4.34	811	4.88	843	5.33	871	5.70	902	6.15	945	6.61
11000	630	3.47	670	4.09	715	4.36	767	4.62	793	5.16	824	5.60	851	5.96	886	6.40	927	6.93
12000	628	4.00	672	4.42	706	4.67	758	4.96	785	5.58	810	6.00	840	6.25	887	6.67	916	7.25
13000	624	4.56	668	5.06	703	5.40	751	5.66	777	6.17	800	6.50	830	6.67	879	7.18	914	7.77
14000	622	5.21	666	5.75	701	6.15	750	6.48	772	6.80	796	7.05	824	7.21	877	7.62	911	8.50

FAN PERFORMANCE - 3RTH480																		
External Static Pressure																		
Air Flow (CFM)	0.4		0.6		0.8		1.0		1.2		1.4		1.6		1.8		2.0	
	RPM	BHP	RPM	BHP	RPM	BHP	RPM	BHP	RPM	BHP	RPM	BHP	RPM	BHP	RPM	BHP	RPM	BHP
10000	637	3.17	679	3.62	730	4.07	780	4.34	811	4.88	843	5.33	871	5.70	902	6.15	945	6.61
11000	630	3.47	670	4.09	715	4.36	767	4.62	793	5.16	824	5.60	851	5.96	886	6.40	927	6.93
12000	628	4.00	672	4.42	706	4.67	758	4.96	785	5.58	810	6.00	840	6.25	887	6.67	916	7.25
13000	624	4.56	668	5.06	703	5.40	751	5.66	777	6.17	800	6.50	830	6.67	879	7.18	914	7.77
14000	622	5.21	666	5.75	701	6.15	750	6.48	772	6.80	796	7.05	824	7.21	877	7.62	911	8.50
15000	620	5.89	665	6.53	700	7.01	748	7.34	770	7.53	795	7.70	823	7.81	875	8.25	910	9.24

FAN PERFORMANCE - 3RTH540																				
External Static Pressure																				
Air Flow (CFM)	0.4		0.6		0.7		0.8		1.0		1.2		1.4		1.6		1.8		2.0	
	RPM	BHP	RPM	BHP	RPM	BHP	RPM	BHP	RPM	BHP	RPM	BHP	RPM	BHP	RPM	BHP	RPM	BHP	RPM	BHP
11500	629	3.73	671	4.25	711	4.51	763	4.79	789	5.37	817	5.80	845	6.10	887	6.53	921	7.09	957	7.70
12000	628	4.00	672	4.42	706	4.67	758	4.96	785	5.58	810	6.00	840	6.25	887	6.67	916	7.25	945	7.88
13000	624	4.56	668	5.06	703	5.40	751	5.66	777	6.17	800	6.50	830	6.67	879	7.18	914	7.77	950	8.41
14000	622	5.21	666	5.75	701	6.15	750	6.48	772	6.80	796	7.05	824	7.21	877	7.62	911	8.50	946	9.48
15000	620	5.89	665	6.53	700	7.01	748	7.34	770	7.53	795	7.70	823	7.81	875	8.25	910	9.24	946	10.36
16000	623	6.46	667	7.08	701	7.56	750	7.85	771	8.30	796	8.45	824	8.60	876	9.10	911	9.89	947	10.75
17000	625	7.09	670	7.77	704	8.29	753	8.61	774	9.11	799	9.27	827	9.43	879	9.98	914	10.85	951	11.79
17500	627	7.40	672	8.11	706	8.66	755	9.00	776	9.51	802	9.69	830	9.86	882	10.43	917	11.34	954	12.32

FAN PERFORMANCE - 3RTH600																				
External Static Pressure																				
Air Flow (CFM)	0.4		0.6		0.7		0.8		1.0		1.2		1.4		1.6		1.8		2.0	
	RPM	BHP	RPM	BHP	RPM	BHP	RPM	BHP	RPM	BHP	RPM	BHP	RPM	BHP	RPM	BHP	RPM	BHP	RPM	BHP
13000	624	4.56	668	5.06	703	5.40	751	5.66	777	6.17	800	6.50	830	6.67	879	7.18	914	7.77	950	8.41
14000	622	5.21	666	5.75	701	6.15	750	6.48	772	6.80	796	7.05	824	7.21	877	7.62	911	8.50	946	9.48
15000	620	5.89	665	6.53	700	7.01	748	7.34	770	7.53	795	7.70	823	7.81	875	8.25	910	9.24	946	10.36
16000	623	6.46	667	7.08	701	7.56	750	7.85	771	8.30	796	8.45	824	8.60	876	9.10	911	9.89	947	10.75
17000	625	7.09	670	7.77	704	8.29	753	8.61	774	9.11	799	9.27	827	9.43	879	9.98	914	10.85	951	11.79
18000	629	7.72	674	8.46	708	9.04	758	9.38	779	9.92	804	10.10	832	10.28	885	10.88	920	11.82	957	12.85
19000	633	8.49	678	9.30	712	9.93	762	10.31	784	10.90	809	11.10	837	11.30	890	11.95	926	12.99	963	14.12
19500	636	8.91	680	9.76	715	10.42	765	10.82	786	11.44	812	11.65	841	11.86	894	12.55	929	13.64

NOTE
 ABOVE DATA INCLUDES THE LOSSES THROUGH WET COIL AND CASING
 ABOVE DATA INDICATE OPERATING RANGE INSIDE THE STANDARD MOTOR.
 IF BHP IS EXCEEDING THAN THE STANDARD MOTOR THEN HIGHER CAPACITY MOTOR CAN BE PROVIDED AS AN OPTION.
 BOLD FONT IN RPM COLUMN INDICATE BLOWER SPEED WITH FACTORY SETTING.

FAN PERFORMANCE - 3RTH720

External Static Pressure																				
Air Flow (CFM)	0.4		0.6		0.7		0.8		1.0		1.2		1.4		1.6		1.8		2.0	
	RPM	BHP	RPM	BHP	RPM	BHP	RPM	BHP	RPM	BHP	RPM	BHP	RPM	BHP	RPM	BHP	RPM	BHP	RPM	BHP
15000	546	5.08	568	0.79	587	1.51	606	2.22	636	5.78	662	7.27	689	7.59	723	9.26	757	8.32	778	9.12
16000	547	5.42	570	2.06	590	2.64	609	3.23	638	6.33	664	7.74	690	8.15	724	9.64	758	9.04	781	9.82
17000	548	5.76	573	3.32	592	3.78	611	4.24	640	6.88	666	8.21	691	8.70	725	10.03	759	9.76	784	10.52
18000	550	6.10	575	4.58	594	4.92	613	5.25	642	7.43	667	8.67	693	9.25	727	10.41	761	10.48	786	11.23
19000	551	6.57	577	5.98	597	6.19	616	6.40	645	8.14	669	9.32	694	10.00	728	11.01	762	11.43	789	12.02
20000	552	6.63	579	6.95	598	7.03	618	7.11	647	8.32	671	9.37	695	10.10	729	10.91	763	11.64	792	12.52
21000	554	7.04	582	8.26	601	8.22	620	8.18	648	9.00	672	9.98	696	10.80	730	11.45	764	12.52	793	13.25
22000	555	7.57	584	9.75	603	9.58	623	9.41	652	9.75	675	10.68	698	11.60	732	12.10	766	13.53	797	14.12
22500	557	8.10	585	9.92	605	9.88	625	9.84	653	10.31	676	11.15	699	12.00	733	12.72	768	13.91	799	14.63

FAN PERFORMANCE - 3RTH840

External Static Pressure																		
Air Flow (CFM)	0.6		0.7		0.8		1.0		1.2		1.4		1.6		1.8		2.0	
	RPM	BHP	RPM	BHP	RPM	BHP	RPM	BHP	RPM	BHP	RPM	BHP	RPM	BHP	RPM	BHP	RPM	BHP
18000	575	4.58	594	4.92	613	5.25	642	7.43	667	8.67	693	9.25	727	10.41	761	10.48	786	11.23
19000	577	5.98	597	6.19	616	6.40	645	8.14	677	9.32	694	10.00	739	11.01	762	11.43	789	12.52
20000	579	6.95	598	7.03	618	7.11	647	8.32	676	9.37	695	10.10	734	10.91	763	11.64	792	12.52
21000	582	8.26	601	8.22	620	8.18	648	9.00	675	9.98	696	10.80	716	11.45	764	12.52	793	13.25
22000	584	9.75	603	9.58	623	9.41	652	9.75	675	10.68	698	11.60	718	12.10	766	13.53	797	14.12
23000	586	10.09	606	10.18	627	10.26	654	10.86	675	11.63	700	12.40	720	13.34	770	14.28	801	15.14
24000	593	10.44	612	10.80	631	11.15	654	12.16	683	12.66	703	13.30	743	14.80	771	15.16	792	16.30
25200	598	10.99	617	11.56	636	12.13	657	12.92	688	13.42	707	14.20	748	15.20	775	16.34	797	17.13
26000	603	11.68	618	12.32	637	12.96	660	13.60	690	14.10	710	15.10	749	15.60	776	17.52	797	17.88
27000	606	12.53	620	13.25	639	13.97	663	14.47	691	14.98	713	16.20	750	16.20	776	18.94	797	18.86

FAN PERFORMANCE - 3RTH960

External Static Pressure																		
Air Flow (CFM)	0.6		0.7		0.8		1.0		1.2		1.4		1.6		1.8		2.0	
	RPM	BHP	RPM	BHP	RPM	BHP	RPM	BHP	RPM	BHP	RPM	BHP	RPM	BHP	RPM	BHP	RPM	BHP
23000	578	10.10	603	10.56	629	11.02	654	11.26	670	11.80	699	12.29	723	11.36	763	13.88	793	12.85
24000	583	11.14	607	11.60	631	12.07	656	12.36	674	12.87	702	13.31	727	12.70	764	14.97	794	14.30
25000	588	12.18	610	12.64	633	13.11	658	13.46	677	13.94	706	14.33	730	14.04	765	16.06	796	15.75
26000	592	13.21	613	13.68	635	14.15	659	14.56	681	15.01	709	15.35	733	15.38	767	17.15	797	17.21
27000	596	13.87	615	14.47	635	15.07	660	15.55	683	15.86	712	16.20	736	16.54	767	18.10	797	18.61
28000	601	15.82	620	16.27	639	16.72	663	16.98	688	17.52	717	17.70	736	18.42	770	19.67	799	20.38
29000	613	16.37	629	16.52	644	16.66	669	17.77	694	18.12	720	18.30	750	19.18	774	20.14	805	21.19
30000	607	17.14	623	17.85	640	18.56	664	18.95	694	19.22	723	19.40	742	20.75	771	21.57	799	23.19
31000	603	17.99	620	19.30	637	20.61	661	20.23	695	20.41	727	20.60	737	22.46	770	23.12
32000	597	18.48	615	20.39	633	22.30	657	21.12	695	21.21	730	21.40	730	23.76	767	24.23

FAN PERFORMANCE - 3RTH1080

External Static Pressure																		
Air Flow (CFM)	0.6		0.7		0.8		1.0		1.2		1.4		1.6		1.8		2.0	
	RPM	BHP	RPM	BHP	RPM	BHP	RPM	BHP	RPM	BHP	RPM	BHP	RPM	BHP	RPM	BHP	RPM	BHP
24000	579	11.09	602	11.43	625	11.77	650	12.21	666	12.86	695	13.03	721	12.49	757	14.78	786	14.05
26000	588	13.18	609	13.60	630	14.02	654	14.40	675	14.96	704	15.13	727	15.22	761	16.99	790	17.00
28000	597	15.38	616	15.81	635	16.24	658	16.51	684	17.03	712	17.20	731	17.89	764	19.11	794	19.81
30000	607	17.14	623	17.85	640	18.56	664	18.95	694	19.22	723	19.40	742	20.75	771	21.57	799	23.19
32000	615	19.55	630	20.15	645	20.74	667	20.89	701	21.22	730	21.40	743	23.34	773	23.53	801	25.71
32500	617	20.34	632	20.93	646	21.53	667	21.64	703	21.97	732	22.15	744	24.27	774	24.30
34000	624	22.70	637	23.29	650	23.89	670	23.88	710	24.21	738	24.40
35000	628	24.27

NOTE
 ABOVE DATA INCLUDES THE LOSSES THROUGH WET COIL AND CASING
 ABOVE DATA INDICATE OPERATING RANGE INSIDE THE STANDARD MOTOR.
 IF BHP IS EXCEEDING THAN THE STANDARD MOTOR THEN HIGHER CAPACITY MOTOR CAN BE PROVIDED AS AN OPTION.
 BOLD FONT IN RPM COLUMN INDICATE BLOWER SPEED WITH FACTORY SETTING.

3RTH360																			
Indoor Conditions	Airflow (CFM)	10200						12000						13800					
		12° C DB 11° C WB	7° C DB 6° C WB	4° C DB 3° C WB	0° C DB -1° C WB	-4° C DB -6° C WB	-7° C DB -8° C WB	12° C DB 11° C WB	7° C DB 6° C WB	4° C DB 3° C WB	0° C DB -1° C WB	-4° C DB -6° C WB	-7° C DB -8° C WB	12° C DB 11° C WB	7° C DB 6° C WB	4° C DB 3° C WB	0° C DB -1° C WB	-4° C DB -6° C WB	-7° C DB -8° C WB
15° C	Capacity Btu	359227	348764	347718	347023	345981	344943	367684	356975	355904	355192	354126	353064	368419	357689	356616	355902	354835	353770
	Input kW	34.11	34.21	34.26	34.33	34.40	34.47	34.07	34.18	34.23	34.30	34.37	34.43	34.01	34.11	34.16	34.23	34.30	34.37
18° C	Capacity Btu	354968	344629	343595	342908	341879	340853	363324	352742	351684	350980	349927	348877	364051	353447	352387	351682	350627	349575
	Input kW	34.21	34.31	34.37	34.43	34.50	34.57	34.18	34.28	34.33	34.40	34.47	34.54	34.11	34.21	34.26	34.33	34.40	34.47
20° C	Capacity Btu	345299	335242	334236	333568	332567	331569	353428	343134	342105	341420	340396	339375	354135	343820	342789	342103	341077	340054
	Input kW	34.73	34.84	34.89	34.96	35.03	35.10	34.70	34.80	34.85	34.92	34.99	35.06	34.63	34.73	34.78	34.85	34.92	34.99
22° C	Capacity Btu	345127	335074	334069	333401	332401	331404	353251	342962	341934	341250	340226	339205	353958	343648	342617	341932	340906	339884
	Input kW	34.78	34.88	34.93	35.00	35.07	35.14	34.74	34.85	34.90	34.97	35.04	35.11	34.67	34.78	34.83	34.90	34.97	35.04

3RTH420																			
Indoor Conditions	Airflow (CFM)	11050						13000						14950					
		12° C DB 11° C WB	7° C DB 6° C WB	4° C DB 3° C WB	0° C DB -1° C WB	-4° C DB -6° C WB	-7° C DB -8° C WB	12° C DB 11° C WB	7° C DB 6° C WB	4° C DB 3° C WB	0° C DB -1° C WB	-4° C DB -6° C WB	-7° C DB -8° C WB	12° C DB 11° C WB	7° C DB 6° C WB	4° C DB 3° C WB	0° C DB -1° C WB	-4° C DB -6° C WB	-7° C DB -8° C WB
15° C	Capacity Btu	403972	403568	402357	401150	399946	398746	414329	413915	412673	411435	410201	408970	426759	426333	425054	423778	422507	421240
	Input kW	40.97	40.85	40.77	40.69	40.61	40.53	40.83	40.71	40.63	40.55	40.46	40.38	40.73	40.61	40.53	40.44	40.36	40.28
18° C	Capacity Btu	401163	400361	399160	397962	396769	395578	411449	410626	409395	408166	406942	405721	423793	422945	421676	420411	419150	417893
	Input kW	41.10	41.01	40.93	40.85	40.77	40.69	40.95	40.87	40.79	40.71	40.63	40.55	40.85	40.77	40.69	40.61	40.53	40.44
20° C	Capacity Btu	399963	397578	395590	394403	393220	392040	410219	407772	405733	404516	403302	402092	422525	420005	417905	416651	415401	414155
	Input kW	41.18	41.22	41.14	41.06	40.97	40.89	41.04	41.08	40.99	40.91	40.83	40.75	40.93	40.97	40.89	40.81	40.73	40.65
22° C	Capacity Btu	397964	396385	395196	394011	392828	390864	408168	406549	405329	404113	402901	400886	420413	418745	417489	416236	414988	412913
	Input kW	41.30	41.26	41.18	41.10	41.01	40.81	41.16	41.12	41.04	40.95	40.87	40.67	41.06	41.02	40.93	40.85	40.77	40.57

3RTH480																			
Indoor Conditions	Airflow (CFM)	11900						14000						16100					
		12° C DB 11° C WB	7° C DB 6° C WB	4° C DB 3° C WB	0° C DB -1° C WB	-4° C DB -6° C WB	-7° C DB -8° C WB	12° C DB 11° C WB	7° C DB 6° C WB	4° C DB 3° C WB	0° C DB -1° C WB	-4° C DB -6° C WB	-7° C DB -8° C WB	12° C DB 11° C WB	7° C DB 6° C WB	4° C DB 3° C WB	0° C DB -1° C WB	-4° C DB -6° C WB	-7° C DB -8° C WB
15° C	Capacity Btu	486624	486137	484679	483225	481775	480330	509554	509044	507517	505994	504476	502963	540127	539587	537968	536354	534745	533141
	Input kW	46.86	46.72	46.63	46.53	46.44	46.35	48.56	48.41	48.32	48.22	48.12	48.03	50.21	50.06	49.96	49.86	49.76	49.66
18° C	Capacity Btu	483241	482274	480828	479385	477947	476513	506011	504999	503484	501974	500468	498967	536372	535299	533693	532092	530496	528905
	Input kW	47.00	46.91	46.81	46.72	46.63	46.53	48.71	48.61	48.51	48.41	48.32	48.22	50.36	50.26	50.16	50.06	49.96	49.86
20° C	Capacity Btu	481796	478922	476527	475098	473673	472251	504498	501489	498982	497485	495992	494504	534768	531578	528920	527334	525752	524174
	Input kW	47.10	47.14	47.05	46.95	46.86	46.77	48.80	48.85	48.76	48.66	48.56	48.46	50.46	50.51	50.41	50.31	50.21	50.11
22° C	Capacity Btu	479387	477485	476053	474625	473201	470835	501975	499985	498485	496989	495498	493021	532094	529984	528394	526808	525228	522602
	Input kW	47.24	47.19	47.10	47.00	46.91	46.67	48.95	48.90	48.80	48.71	48.61	48.37	50.61	50.56	50.46	50.36	50.26	50.01

3RTH540																			
Indoor Conditions	Airflow (CFM)	13600						16000						18400					
		12° C DB 11° C WB	7° C DB 6° C WB	4° C DB 3° C WB	0° C DB -1° C WB	-4° C DB -6° C WB	-7° C DB -8° C WB	12° C DB 11° C WB	7° C DB 6° C WB	4° C DB 3° C WB	0° C DB -1° C WB	-4° C DB -6° C WB	-7° C DB -8° C WB	12° C DB 11° C WB	7° C DB 6° C WB	4° C DB 3° C WB	0° C DB -1° C WB	-4° C DB -6° C WB	-7° C DB -8° C WB
15° C	Capacity Btu	546164	545618	543981	542350	540722	539100	574910	574335	572612	570894	569182	567474	606530	605923	604106	602293	600487	598685
	Input kW	54.15	53.99	53.88	53.77	53.66	53.56	55.43	55.26	55.15	55.04	54.93	54.82	57.36	57.19	57.08	56.96	56.85	56.74
18° C	Capacity Btu	542368	541283	539659	538040	536426	534817	570914	569772	568062	566358	564659	562965	602314	601109	599306	597508	595715	593928
	Input kW	54.31	54.20	54.10	53.99	53.88	53.77	55.59	55.48	55.37	55.26	55.15	55.04	57.54	57.42	57.31	57.19	57.08	56.96
20° C	Capacity Btu	540746	537521	534833	533228	531629	530034	569206	568111	566282	564123	562009	560051	600512	598931	597346	595764	594188	592617
	Input kW	54.42	54.48	54.37	54.26	54.15	54.04	55.70	55.76	55.65	55.54	55.43	55.31	57.65	57.71	57.60	57.48	57.36	57.25
22° C	Capacity Btu	538042	535908	534300	532697	531099	528444	566360	564114	562421	560734	559052	557375	597510	595140	593354	591574	589800	588051
	Input kW	54.59	54.53	54.42	54.31	54.20	53.93	55.87	55.81	55.70	55.59	55.48	55.20	57.83	57.77	57.65	57.54	57.42	57.14

3RTH600																			
Indoor Conditions	Airflow (CFM)	15300						18000						20700					
		12° C DB 11° C WB	7° C DB 6° C WB	4° C DB 3° C WB	0° C DB -1° C WB	-4° C DB -6° C WB	-7° C DB -8° C WB	12° C DB 11° C WB	7° C DB 6° C WB	4° C DB 3° C WB	0° C DB -1° C WB	-4° C DB -6° C WB	-7° C DB -8° C WB	12° C DB 11° C WB	7° C DB 6° C WB	4° C DB 3° C WB	0° C DB -1° C WB	-4° C DB -6° C WB	-7° C DB -8° C WB
15° C	Capacity Btu	596252	595656	593869	592088	590311	588540	634311	633677	631776	629880	627991	626107	666027	665361	663364	661374	659390	657412
	Input kW	59.05	58.88	58.76	58.64	58.52	58.41	60.57	60.39	60.27	60.15	60.02	59.90	62.08	61.90	61.77	61.65	61.53	61.40
18° C	Capacity Btu	592108	590923	589151	587383	585621	583864	629902	628642	626756	624876	623001	621132	661397	660074	658094	656119	654151	652189
	Input kW	59.23	59.11	58.99	58.88	58.76	58.64	60.75	60.63	60.51	60.39	60.27	60.15	62.27	62.14	62.02	61.90	61.77	61.65
20° C	Capacity Btu	590337	588616	586882	585130	583384	581642	628018	624272	621151	619287	617429	615577	659419	655486	652208	650252	648301	646356
	Input kW	59.35	59.41	59.29	59.17	59.05	58.94	60.87	60.93	60.81	60.69	60.57	60.45	62.39	62.46	62.33	62.21	62.08	61.96
22° C	Capacity Btu	587385	585055	583300	581550	579806	578060	624877.5	622399.2	620532	618670.4	616814.4	613730.3	656121	653519	651559	649604	647655	644417
	Input kW	59.53	59.47	59.35	59.23	59.11	58.82	61.05	60.99	60.87	60.75	60.63	60.33	62.58	62.52	62.39	62.27	62.14	61.83

WIRING DIAGRAMS

WIRING DIAGRAM FOR 60TR / 70TR UNITS

POWER SUPPLY
THIS WIRING DIAGRAM SUITS
380-415 VOLTS / 3 PH / 50 HZ WITH NEUTRAL
380-400 VOLTS / 3 PH / 60 HZ WITH NEUTRAL
PL. REFER UNIT NAME PLATE FOR YOUR UNIT'S
POWER SUPPLY

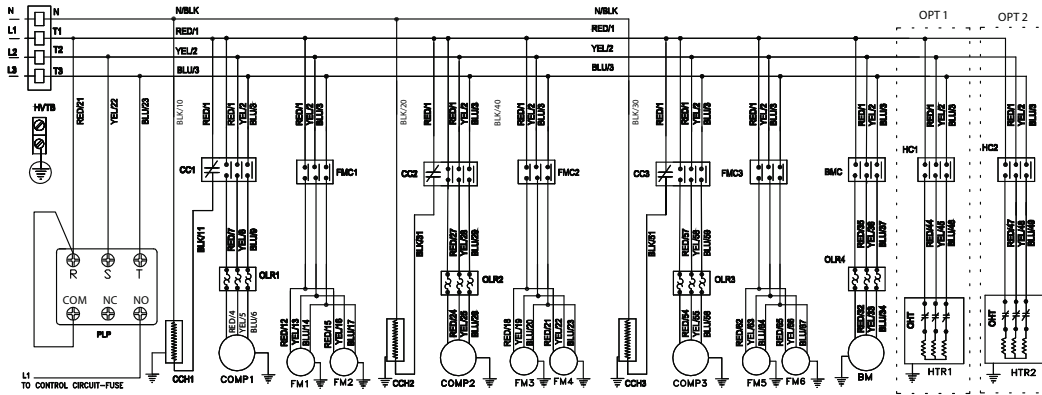
WIRING DIAGRAM FOR PACKAGE UNITS

AWAL GULF MANUFACTURING Co. BSC (C)
SITRA, BAHRAIN.

WARNING

THIS UNIT IS BUILT AND WIRED ACCORDING TO COMPANY STANDARDS AND / OR JOB ORDER'S SPECIFICATIONS. ANY UNAUTHORISED CHANGE OR MODIFICATION OR SETTING OF ROOM THERMOSTAT TEMPERATURE BELOW 60°F WILL MAKE WARRANTY NULL & VOID.

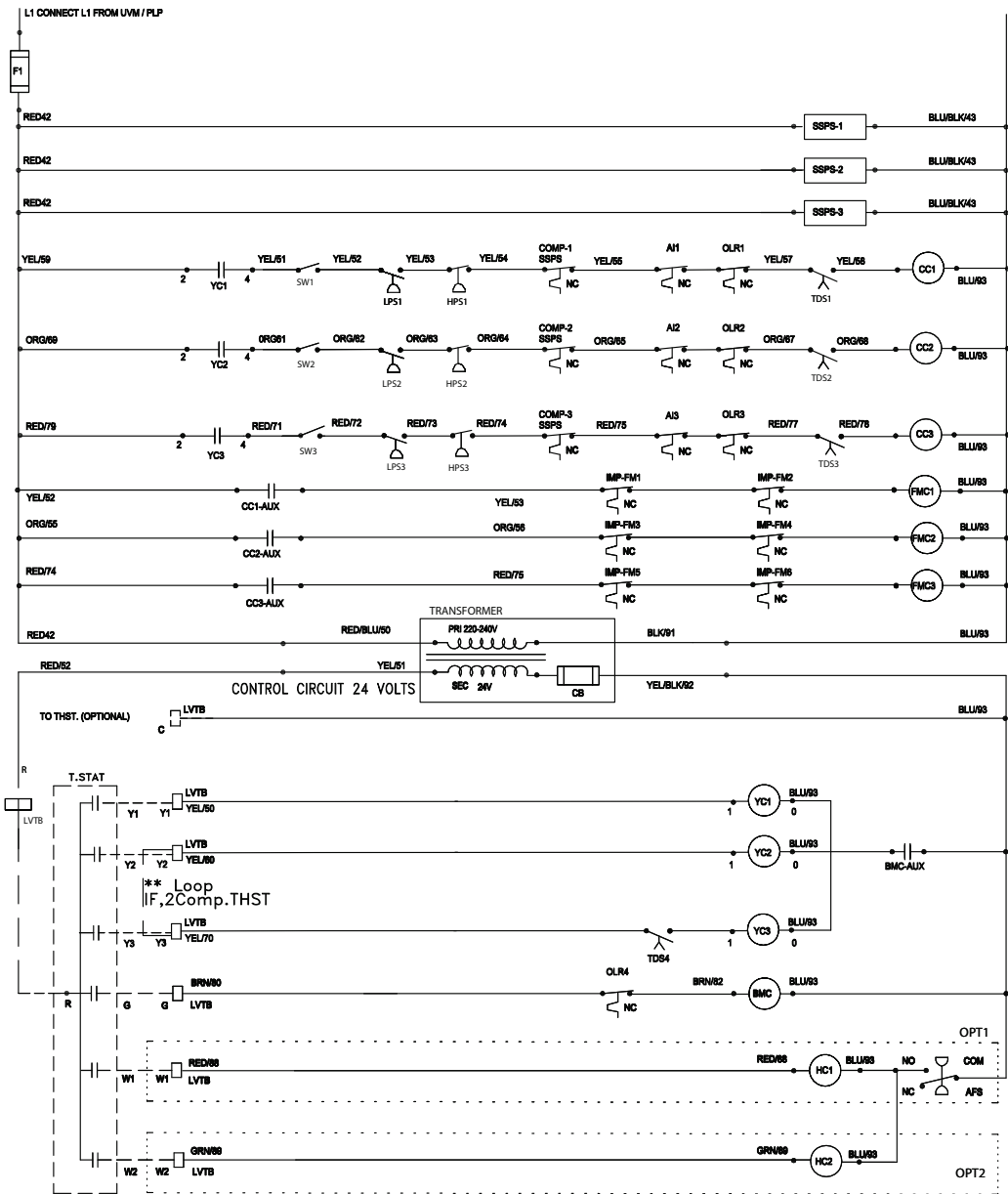
POWER SUPPLY (SEE NOTE 6)



LEGEND

- AFS - AIR FLOW SWITCH
- AI - ANTI ICE
- BLK - BLACK
- BLU - BLUE
- BM - BLOWER MOTOR
- BMC - BLOWER MOTOR CONTACTOR
- BRN - BROWN
- CCH - CRANK CASE HEATER
- CB - CIRCUIT BREAKER
- COMP - COMPRESSOR
- F - FUSE
- CC - COMP CONTACTOR
- FM - FAN MOTOR
- FMC - FAN MOTOR CONTACTOR
- HC - HEATER CONTACTOR
- HPS - HIGH PRESSURE SWITCH
- HTR - HEATER
- HTR1 - HEATER
- HVTB - HIGH VOLTAGE TERMINAL BLOCK
- IMP - INTERNAL MOTOR PROTECTION
- L - LINE
- LPS - LOW PRESSURE SWITCH
- LVTB - LOW VOLTAGE TERMINAL BLOCK
- N - NEUTRAL
- NC - NORMALLY CLOSED
- NO - NORMALLY OPEN
- OHT - OVER HEAT THERMOSTAT
- OLR - OVER LOAD RELAY
- OPT - OPTIONAL
- PLP - PHASE LOSS PROTECTION
- PRI - PRIMARY
- RED - RED
- SEC - SECONDARY
- SSPS - SOLID STATE PROTECTION SYS.
- SW - SWITCH ON/OFF
- TDS - TIME DELAY SWITCH
- TRANS - TRANSFORMER
- T.STAT - THERMOSTAT
- UV - UNDER VOLTAGE MONITOR
- UVV - ULTRA VIOLET LIGHT
- YC - COOLING RELAY
- YEL - YELLOW
- - - - - FIELD WIRING
- - - - - - TERMINAL / SPLICE
- ⊕ - - - - - OPTIONAL MARKING
- ⊕ - - - - - EARTHING

POWER SUPPLY 220/240 V / 1PH / 50HZ.



NOTES

- 1) ANY WIRE REPLACEMENT SHOULD BE OF 90°C TYPE OR EQUIVALENT AND COPPER CONDUCTOR ONLY.
- 2) POWER MUST BE SUPPLIED TO CRANK CASE HEATER FOR A MINIMUM OF 12 HOURS PRIOR TO START UP. IF THE POWER SUPPLY HAS BEEN INTERRUPTED FOR LONGER PERIOD THEN AGAIN CRANK CASE HEATER MUST BE ENERGIZED FOR MINIMUM OF 12 HOURS BEFORE STARTING OF COMPRESSOR.
- 3) FUSED DISCONNECT SWITCH OR CIRCUIT BREAKER TO BE PROVIDED BY THE USER WITH RELEVANT RATING.
- 4) PLEASE ALLOW 2 TO 3 MINUTES BEFORE STARTING OF COMPRESSOR.
- 5) COMPRESSOR IS PROVIDED WITH INTERNAL OVERLOAD PROTECTION.
- 6) POWER CIRCUIT FOR:
1) 380-415 V/3PH/50HZ WITH NEUTRAL
2) 380-400 V/3PH/60HZ WITH NEUTRAL
- 7) REFER INSTRUCTIONS WITH THE COMPONENTS FOR STAR / DELTA CONNECTIONS

OPTIONS

- OPT. 1 - SINGLE STAGE HEATING
- OPT. 2 - TWO STAGE HEATING

WIR.DIA.RTP-3COMP-6FM-STD

C240267 | 1BC011B01 | 05

WIRING DIAGRAMS

WIRING DIAGRAMS FOR 80TR/90TR UNITS

POWER SUPPLY

THIS WIRING DIAGRAM SUITS

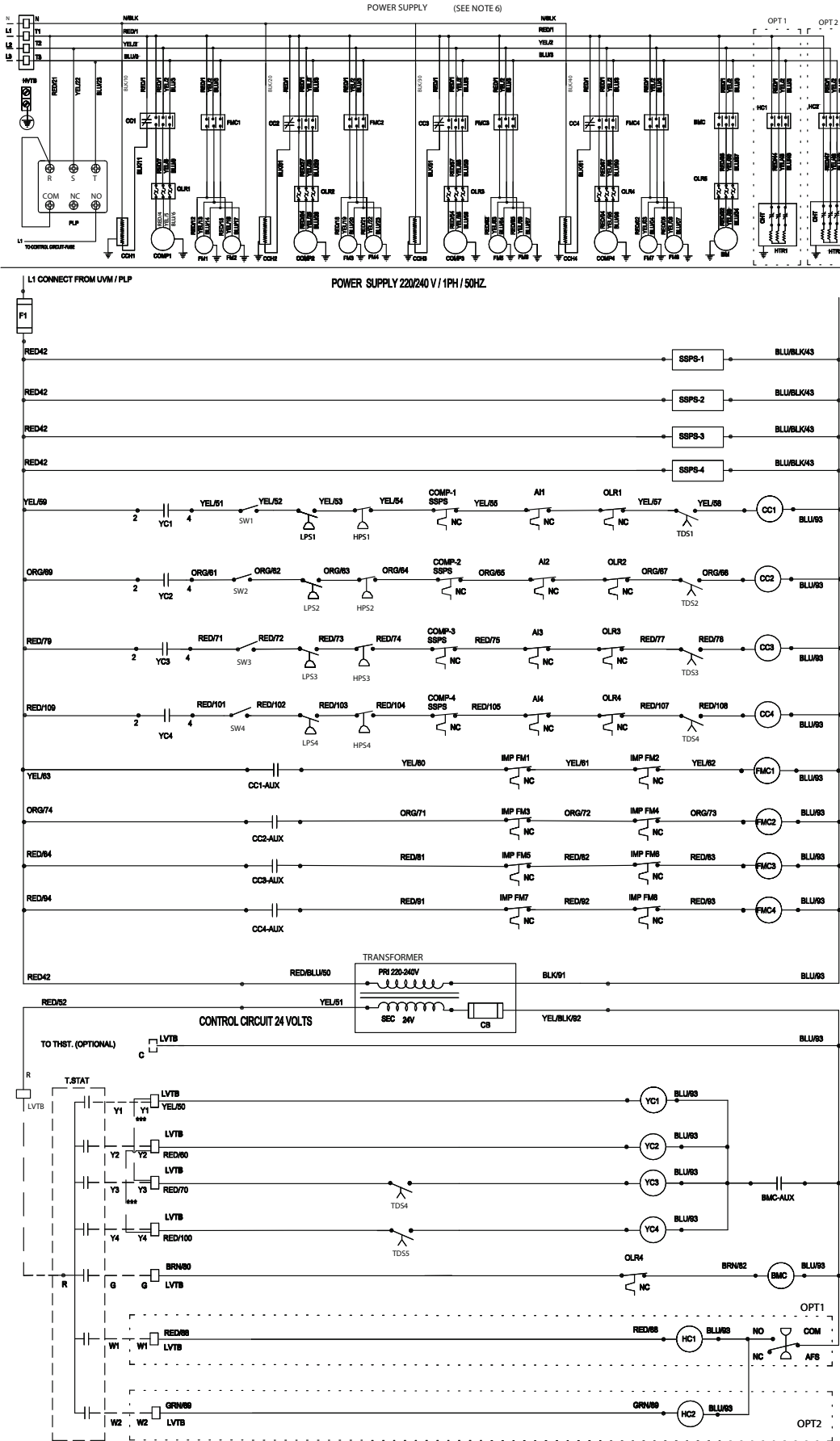
380-415 VOLTS / 3 PH / 50 HZ WITH NEUTRAL
380-400 VOLTS / 3 PH / 60 HZ WITH NEUTRAL
PL. REFER UNIT NAME PLATE FOR YOUR UNIT'S
POWER SUPPLY

WIRING DIAGRAM FOR PACKAGE UNITS

WARNING

THIS UNIT IS BUILT AND WIRED ACCORDING TO COMPANY STANDARDS AND / OR JOB ORDER'S SPECIFICATIONS.
ANY UNAUTHORISED CHANGE OR MODIFICATION OR SETTING OF ROOM THERMOSTAT TEMPERATURE BELOW 60 F WILL MAKE WARRANTY NULL & VOID.

AWAL GULF MANUFACTURING Co. BSC (C)
SITRA, BAHRAIN.



LEGEND

- AFS - AIR FLOW SWITCH
- AI - ANTI ICE
- BLK - BLACK
- BLU - BLUE
- BM - BLOWER MOTOR
- BMC - BLOWER MOTOR CONTACTOR
- BRN - BROWN
- CCH - CRANK CASE HEATER
- CB - CIRCUIT BREAKER
- COMP - COMPRESSOR
- F - FUSE
- CC - COMP CONTACTOR
- FM - FAN MOTOR
- FMC - FAN MOTOR CONTACTOR
- HC - HEATER CONTACTOR
- HPS - HIGH PRESSURE SWITCH
- HTR - HEATER
- HVTB - HIGH VOLTAGE TERMINAL BLOCK
- IMP - INTERNAL MOTOR PROTECTION
- L - LINE
- LPS - LOW PRESSURE SWITCH
- LVTB - LOW VOLTAGE TERMINAL BLOCK
- N - NEUTRAL
- NC - NORMALLY CLOSED
- NO - NORMALLY OPEN
- OHT - OVER HEAT THERMOSTAT
- OLR - OVER LOAD RELAY
- OPT - OPTIONAL
- PLP - PHASE LOSS PROTECTION
- PRI - PRIMARY
- RED - RED
- SEC - SECONDARY
- SSPS - SOLID STATE PROTECTION SYS.
- SW - SWITCH ON/OFF
- TDS - TIME DELAY SWITCH
- TRANS - TRANSFORMER
- T.STAT - THERMOSTAT
- UVM - UNDER VOLTAGE MONITOR
- UV - ULTRA VIOLET LIGHT
- YC - COOLING RELAY
- YEL - YELLOW
- - - - - FIELD WIRING
- - TERMINAL / SPLICE
- OPTIONAL MARKING
- ⊕ - EARTHING

NOTES

- 1) ANY WIRE REPLACEMENT SHOULD BE OF 90°C TYPE OR EQUIVALENT AND COPPER CONDUCTOR ONLY.
- 2) POWER MUST BE SUPPLIED TO CRANK CASE HEATER FOR A MINIMUM OF 12 HOURS PRIOR TO START UP. IF THE POWER SUPPLY HAS BEEN INTERRUPTED FOR LONGER PERIOD THEN AGAIN CRANK CASE HEATER MUST BE ENERGIZED FOR MINIMUM OF 12 HOURS BEFORE STARTING OF COMPRESSOR.
- 3) FUSED DISCONNECT SWITCH OR CIRCUIT BREAKER TO BE PROVIDED BY THE USER WITH RELEVANT RATING.
- 4) PLEASE ALLOW 2 TO 3 MINUTES BEFORE STARTING OF COMPRESSOR.
- 5) COMPRESSOR IS PROVIDED WITH INTERNAL OVERLOAD PROTECTION.
- 6) POWER CIRCUIT FOR:
11380-415 V/3PH/50HZ WITH NEUTRAL
21380-400 V/3PH/60HZ WITH NEUTRAL
- 7) REFER INSTRUCTIONS WITH THE COMPONENTS FOR STAR / DELTA CONNECTIONS

OPTIONS

- OPT.1 - SINGLE STAGE HEATING
- OPT.2 - TWO STAGE HEATING

*** - LOOP IF 2COMP.THST

WIR.DIA.RTP-4COMP-8FM-STD

C240270 | 1BC011B04 | 03

AUTHORISED DISTRIBUTORS



AWAL GULF WORLDWIDE

APPROVALS QUALITY ASSURANCE



AWAL GULF
MANUFACTURING Co. B.S.C. (C)

Tel: 1773 8333 | Fax: 1773 1541 / 1773 1529
P.O. Box 15919, Manama, Kingdom of Bahrain
Email: export@awalgulf.com.bh | Website: www.awalgulf.com

 [awalgulfmanufacturing](https://www.instagram.com/awalgulfmanufacturing)

